

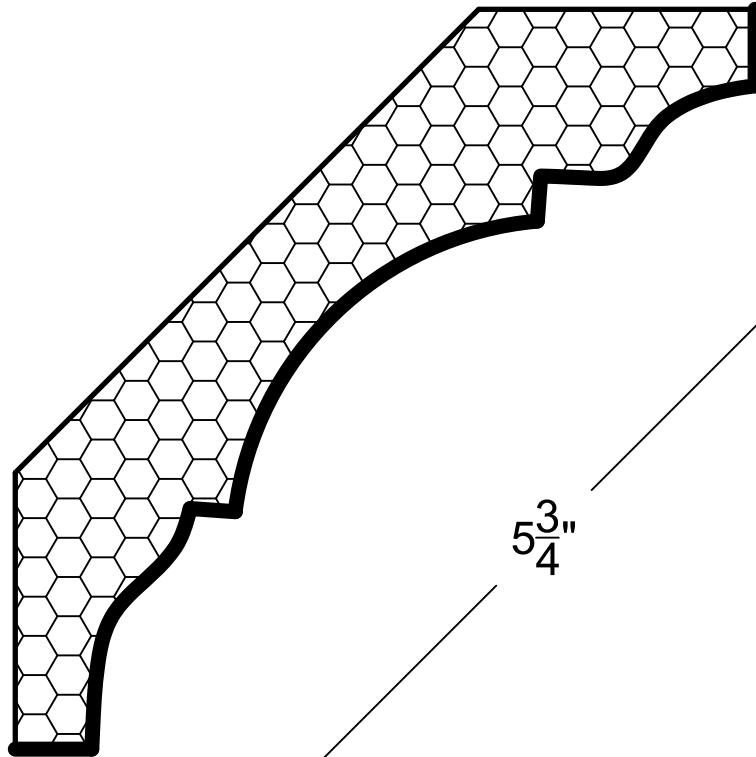
**Cove**

$4\frac{1}{8}"$

$4\frac{1}{8}"$

$5\frac{3}{4}"$

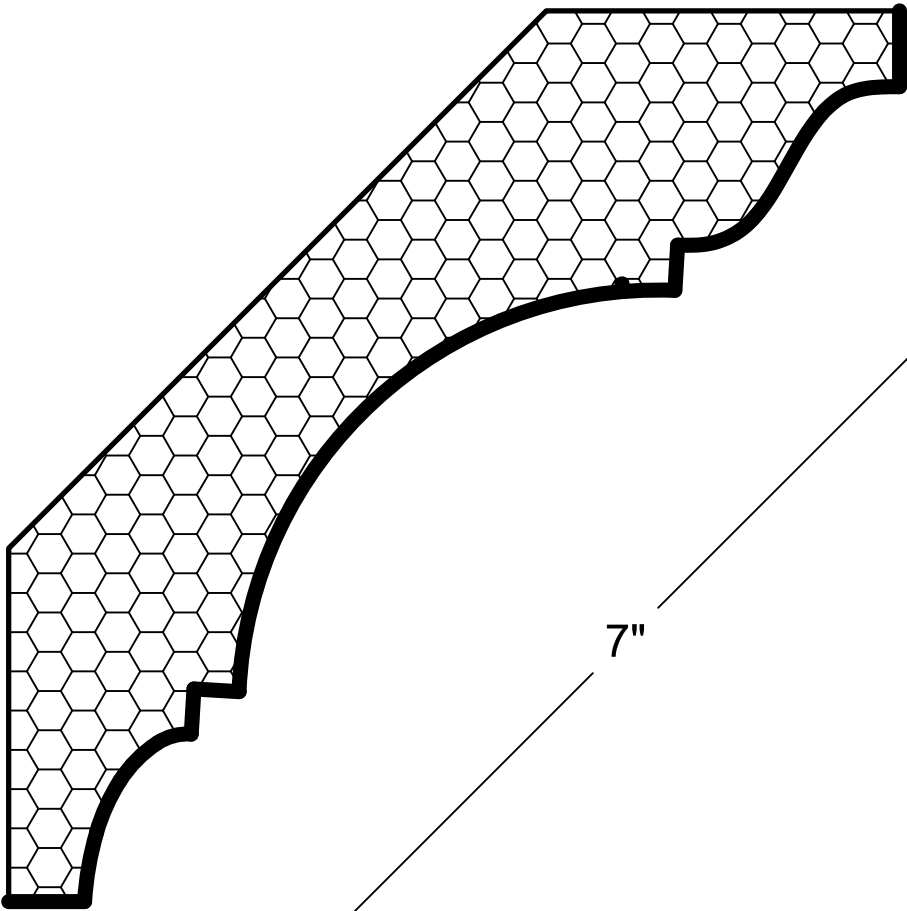
**Cove**



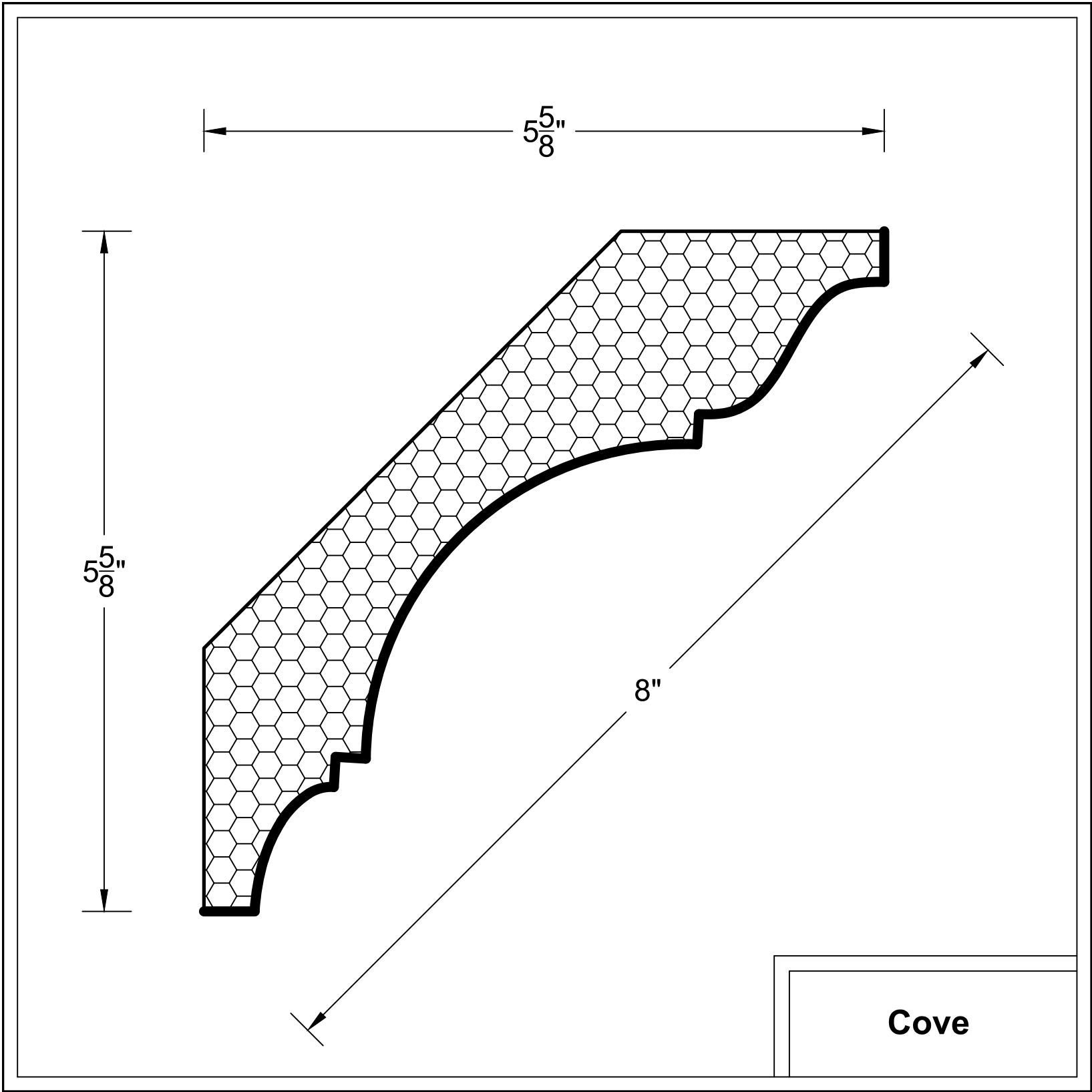
$4\frac{7}{8}$ "

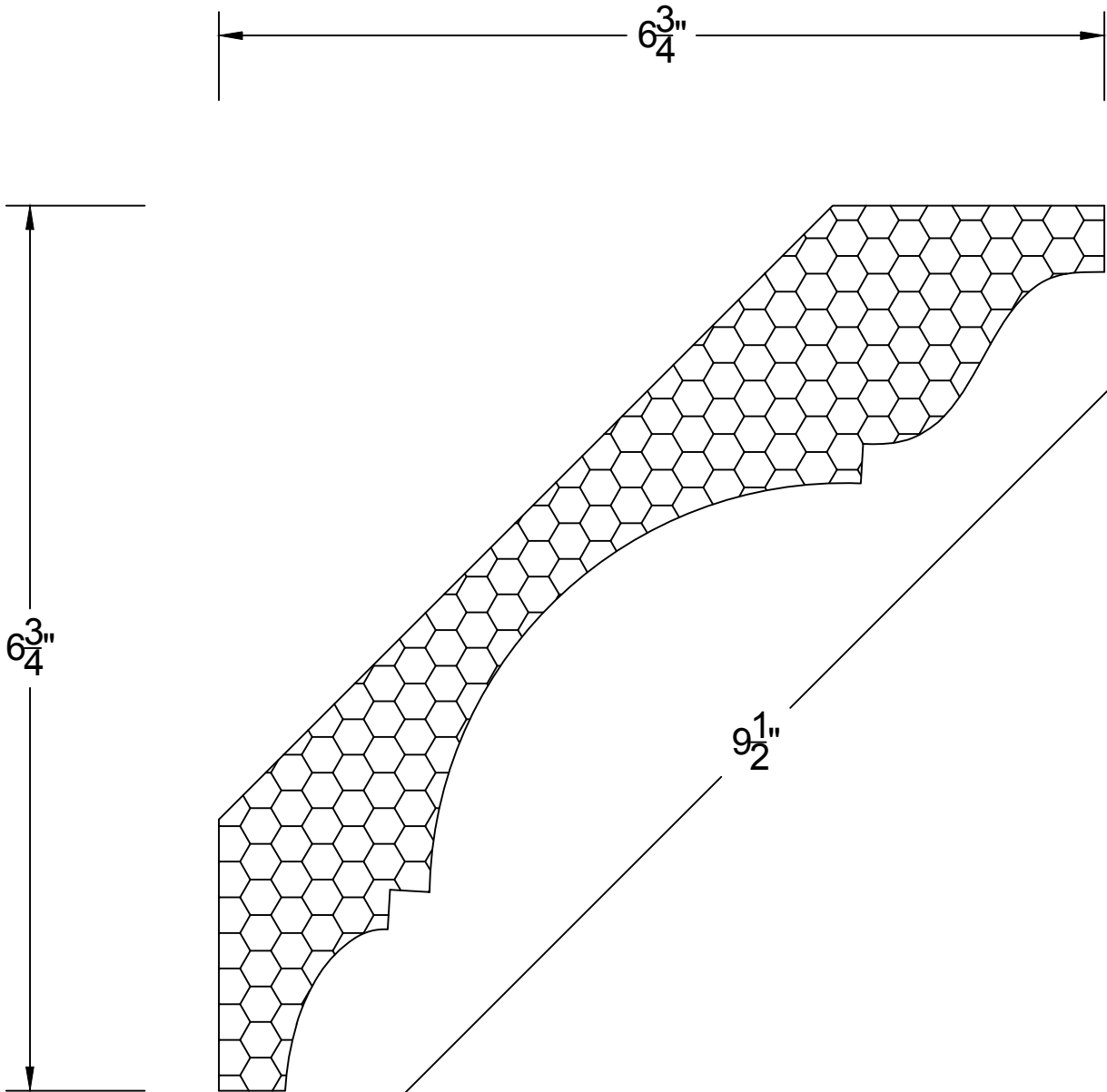
$4\frac{7}{8}$ "

7"



**Cove**





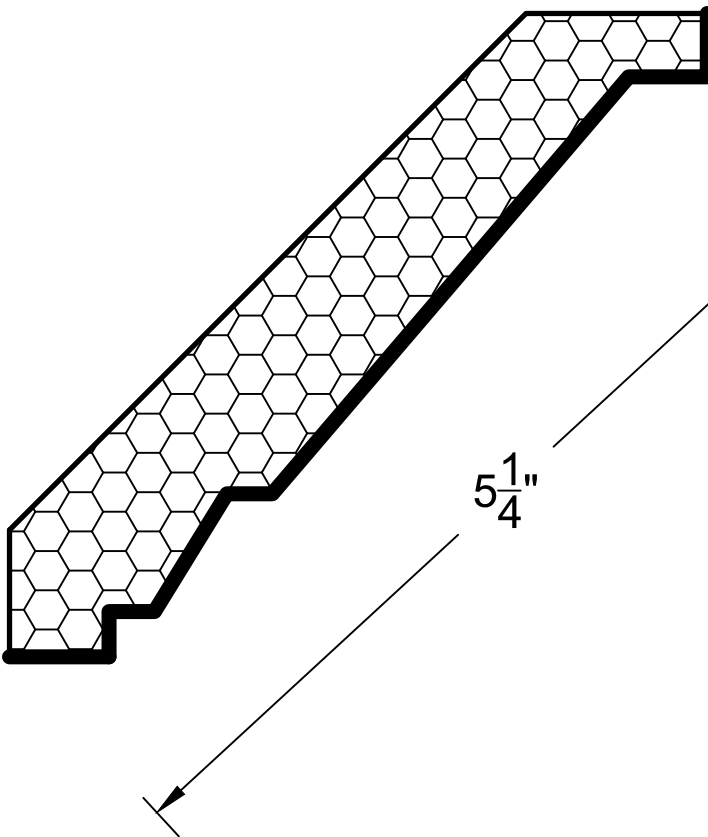
**CI-803-9.5"**

$3\frac{7}{8}"$

$3\frac{1}{2}"$

$5\frac{1}{4}"$

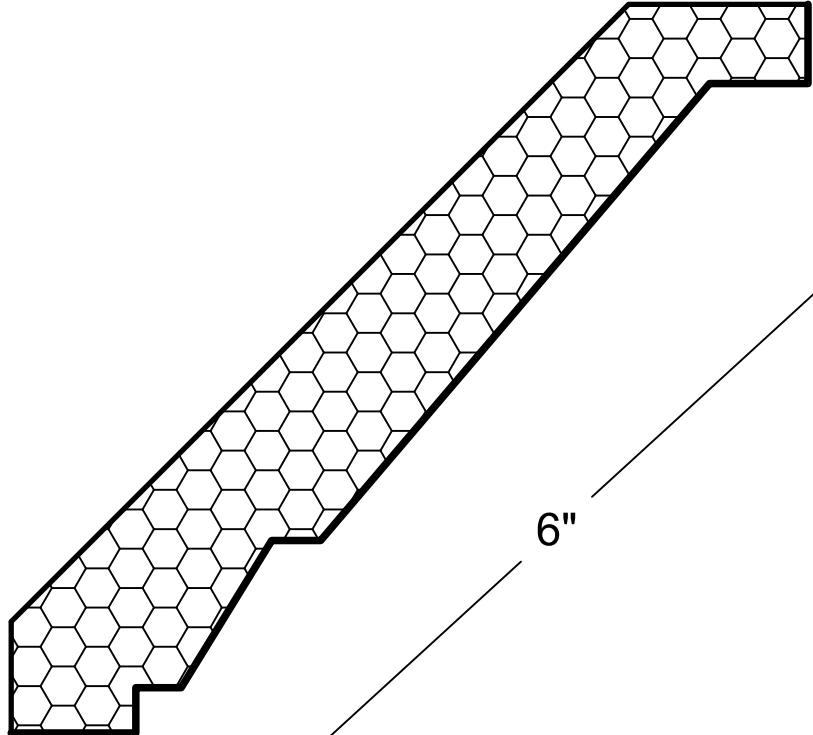
**Deco**



4 <sup>3</sup>/<sub>8</sub>"

4"

6"

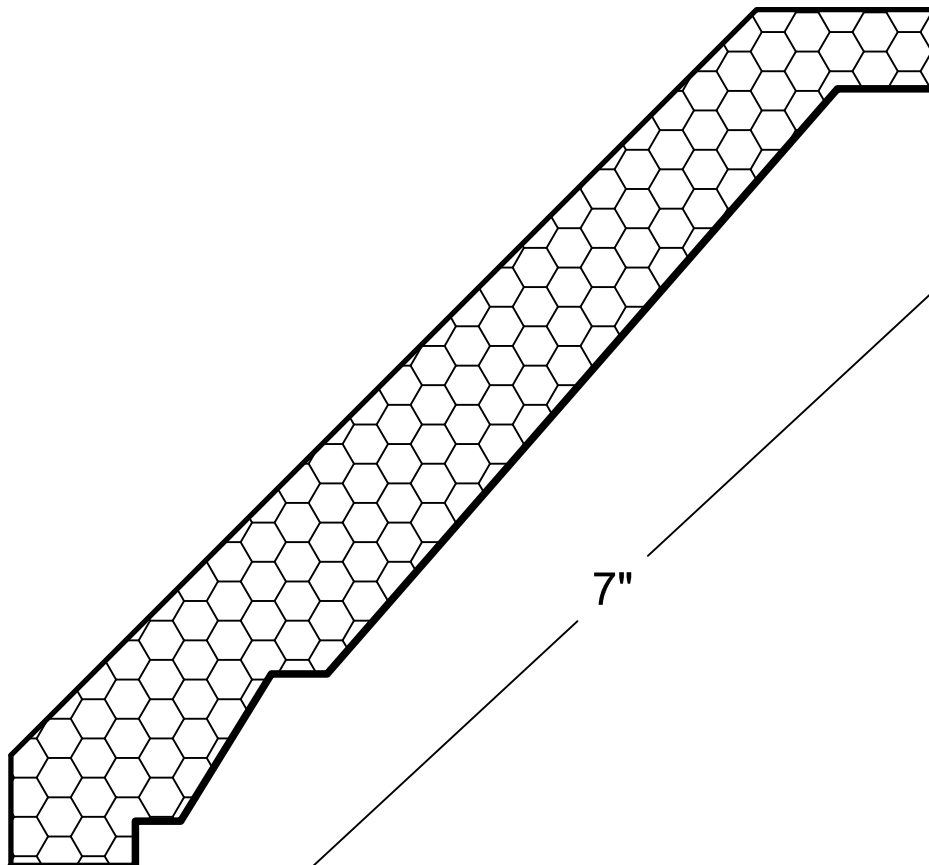


**Deco**

5 <sup>1</sup>/<sub>8</sub>"

4 <sup>3</sup>/<sub>4</sub>"

7"



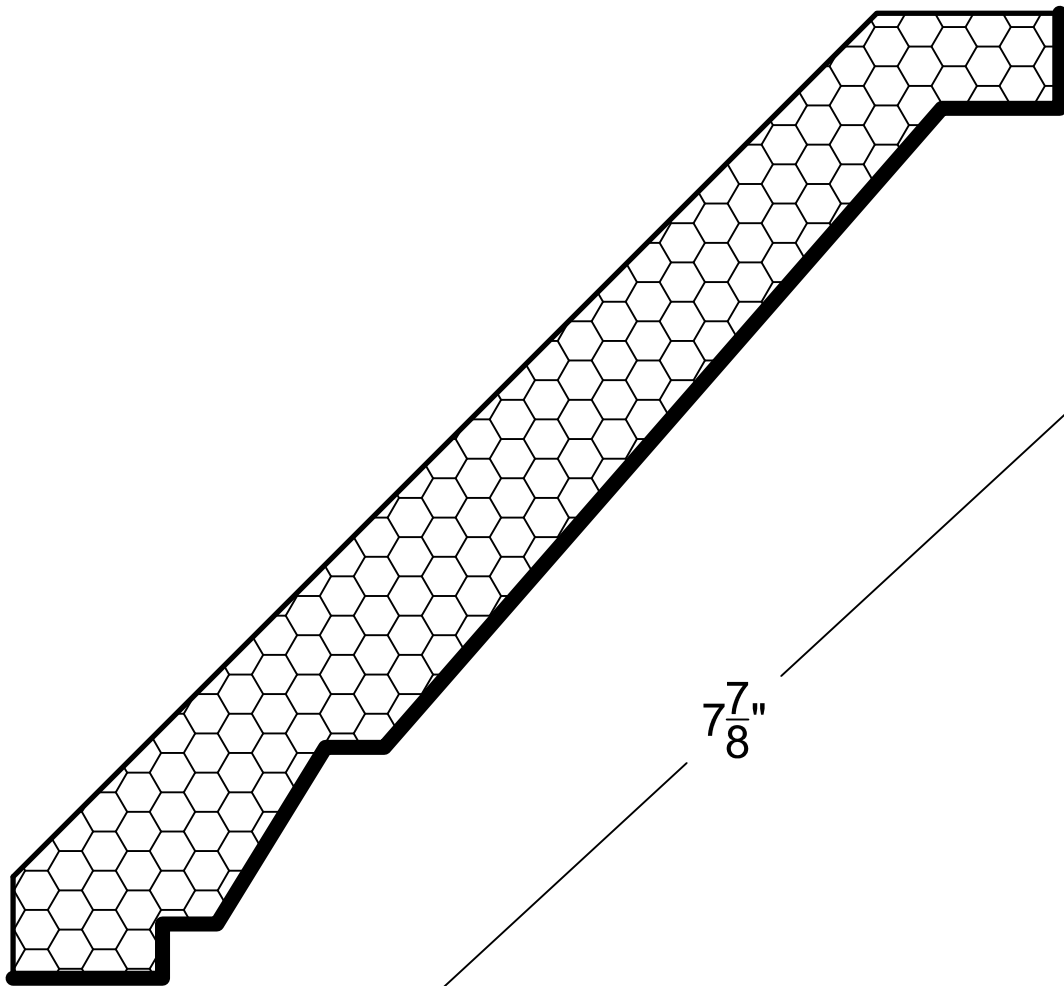
**Deco**



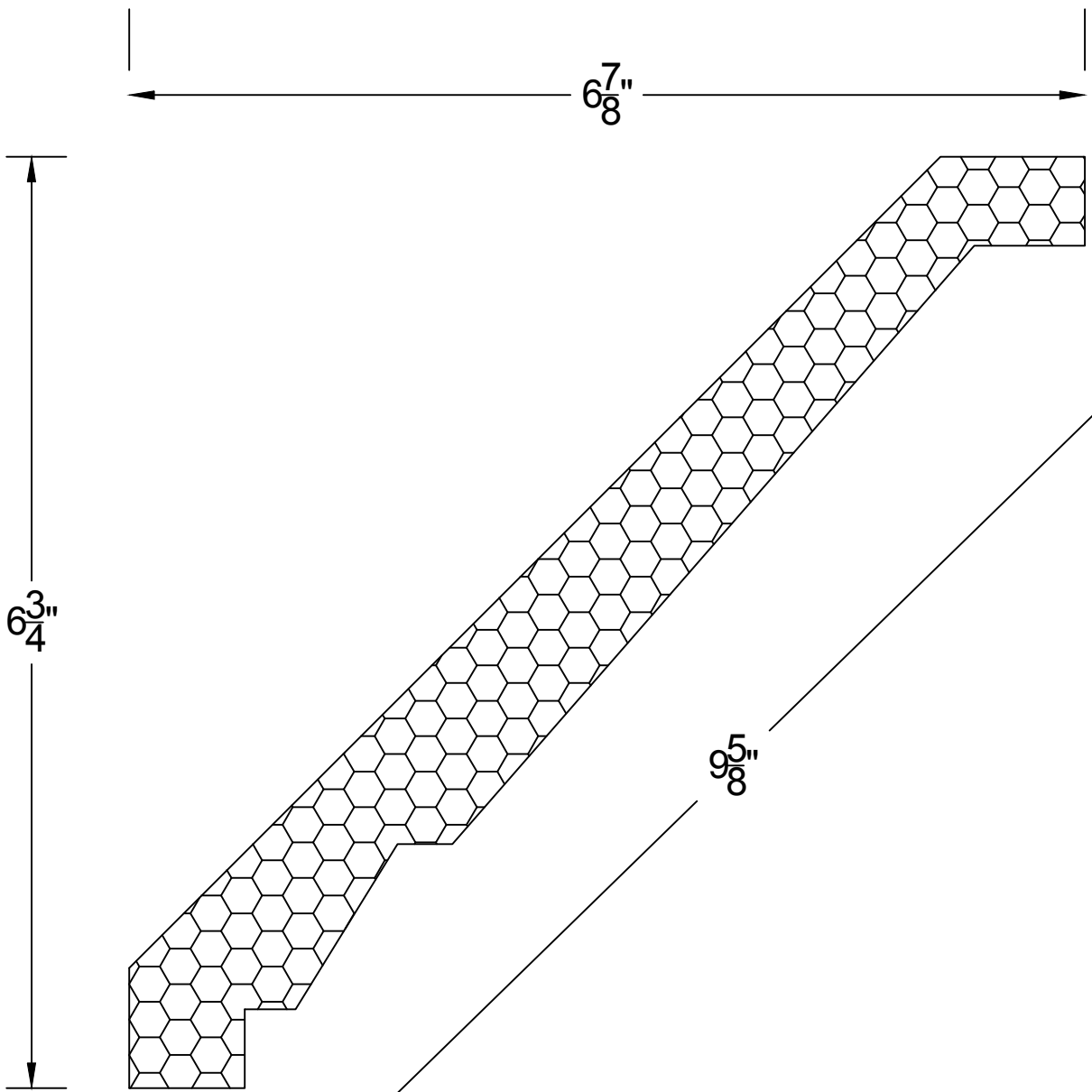
$5\frac{3}{4}$ "

$5\frac{3}{8}$ "

$7\frac{7}{8}$ "



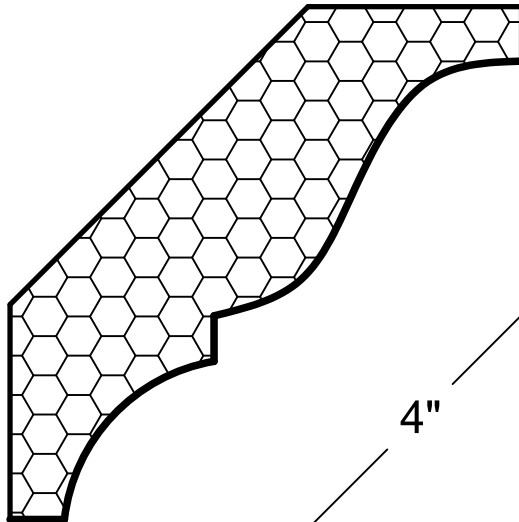
**Deco**



**IN-100-10"**

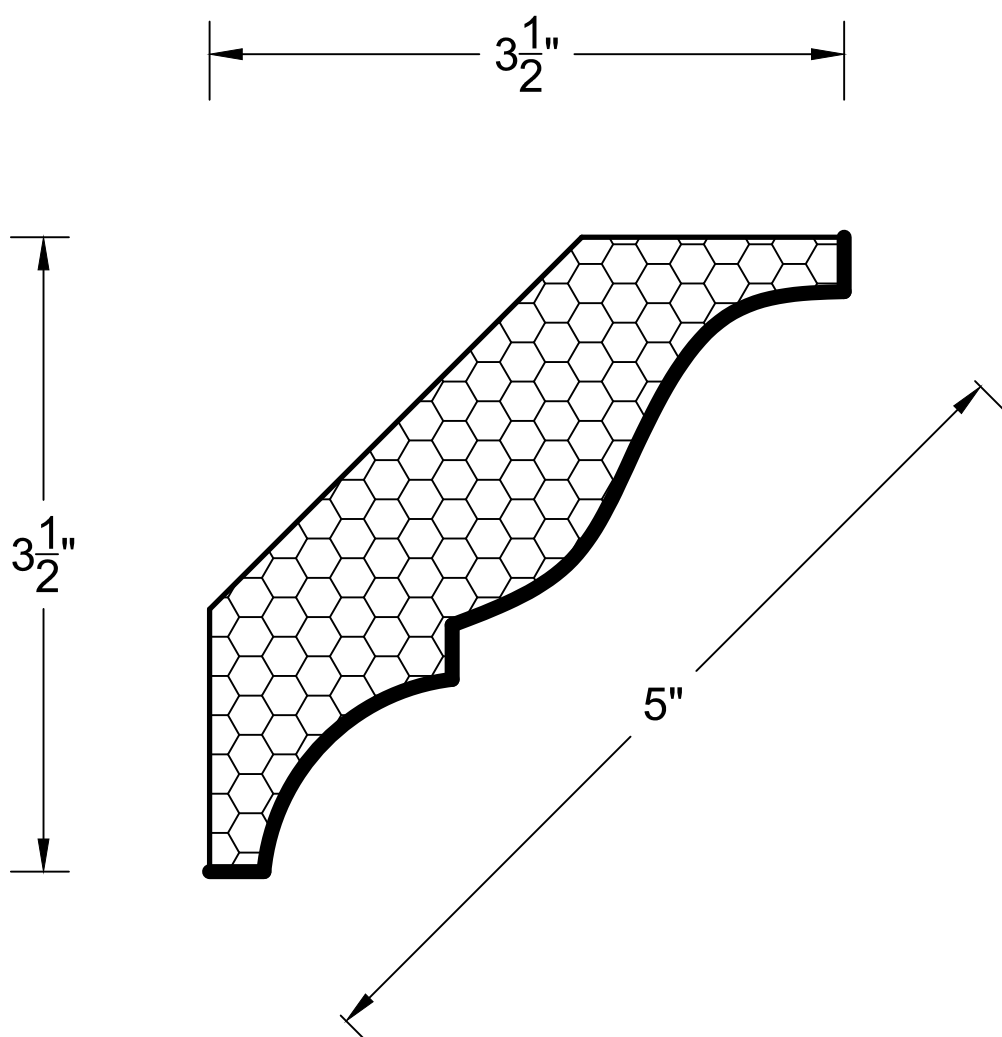
$2\frac{7}{8}$ "

$2\frac{7}{8}$ "

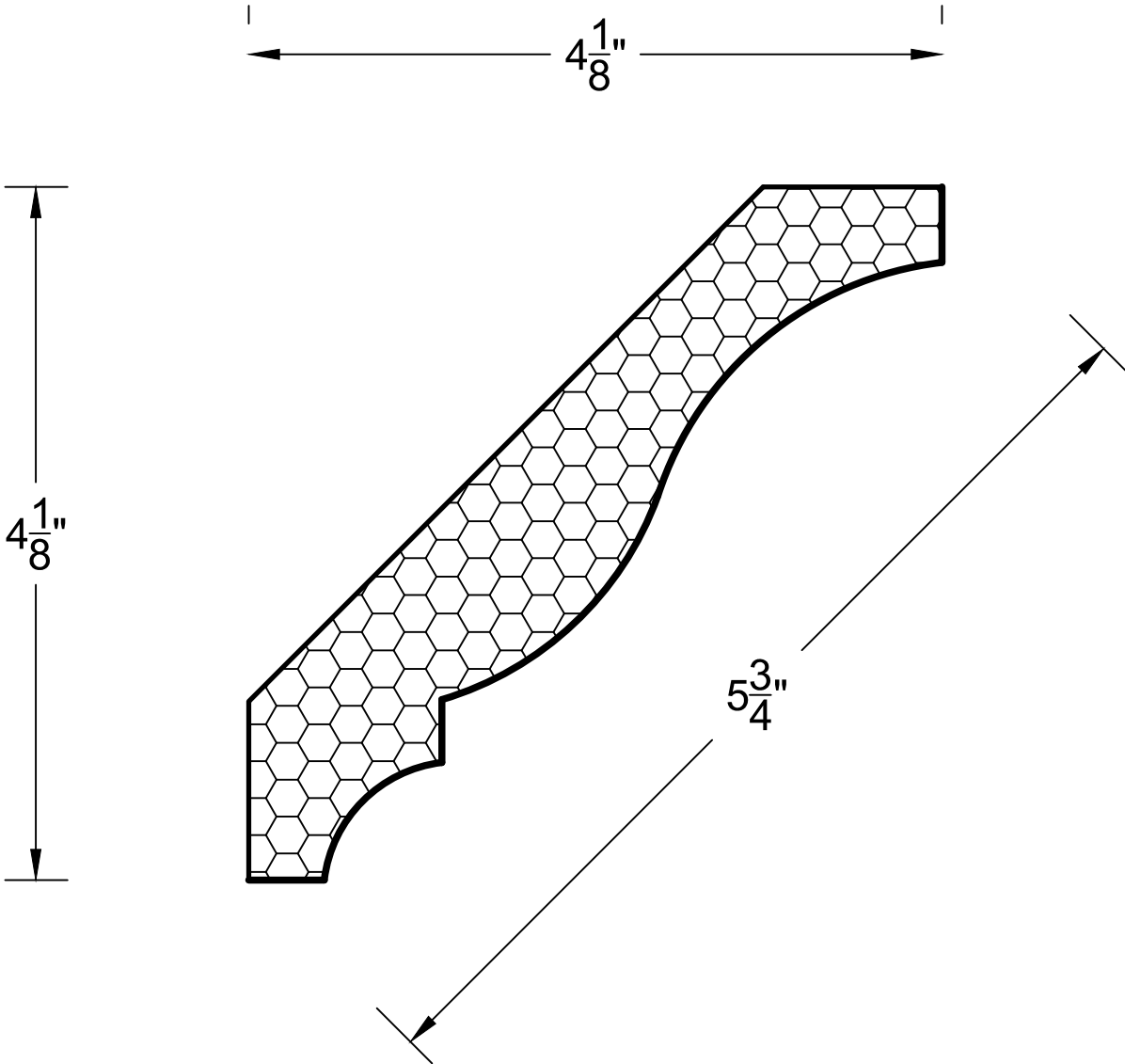


4"

**Georgian**



**Georgian**

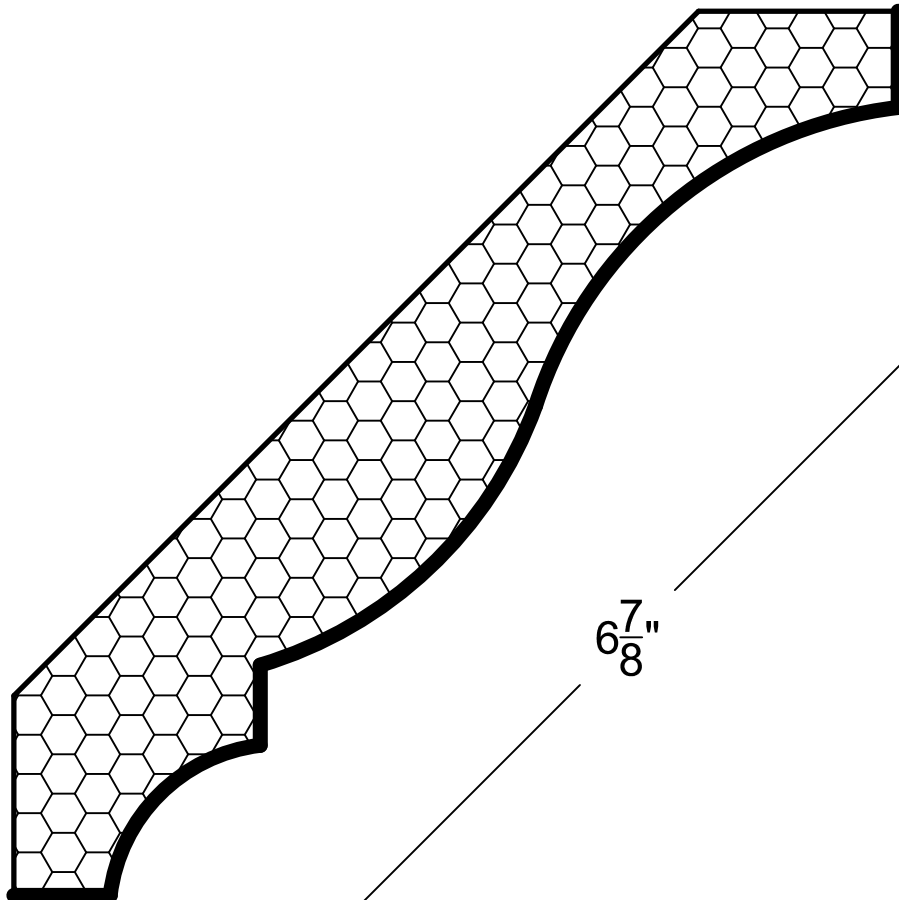


**Georgian**

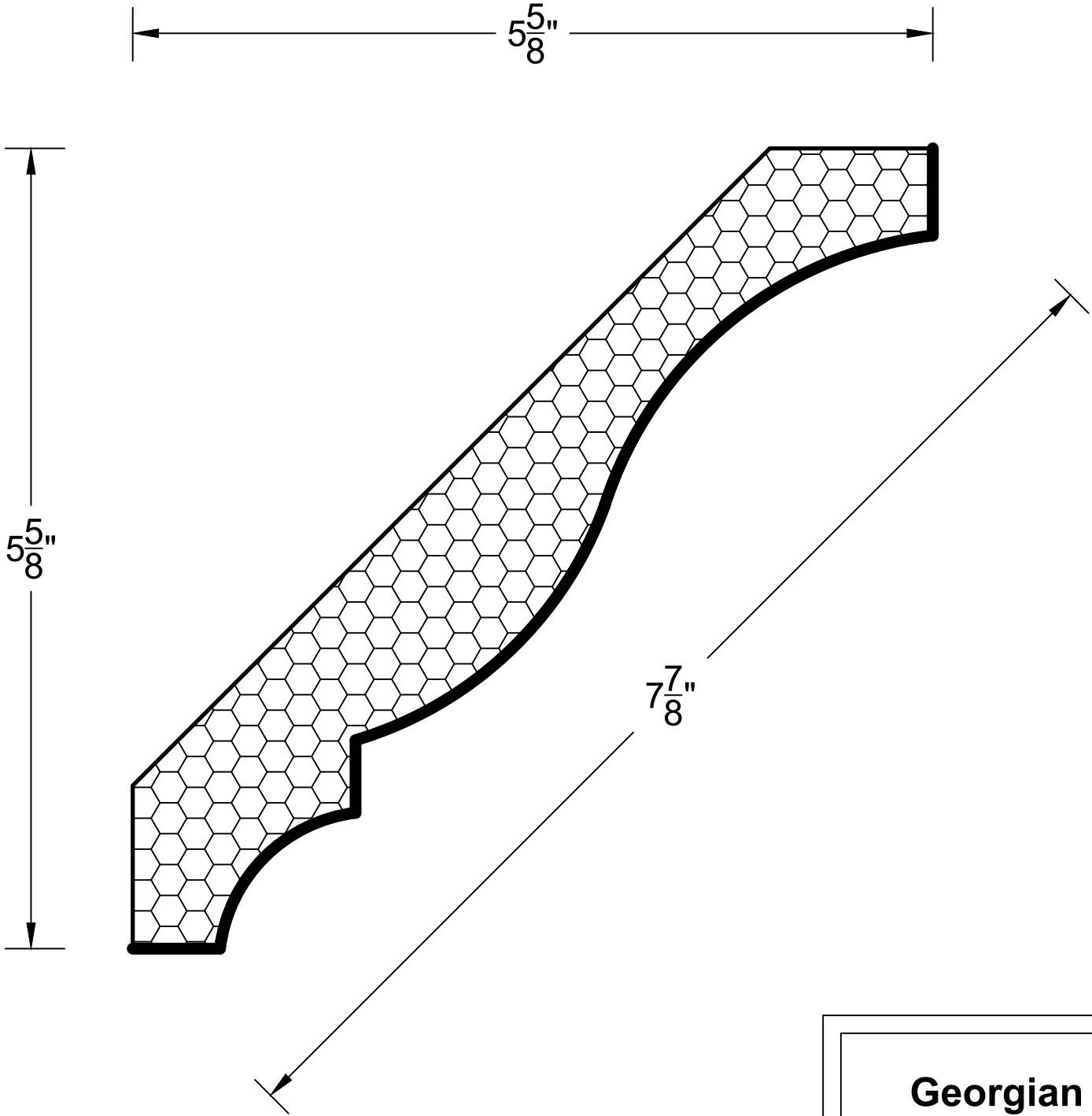
$4\frac{7}{8}$ "

$4\frac{7}{8}$ "

$6\frac{7}{8}$ "



**Georgian**



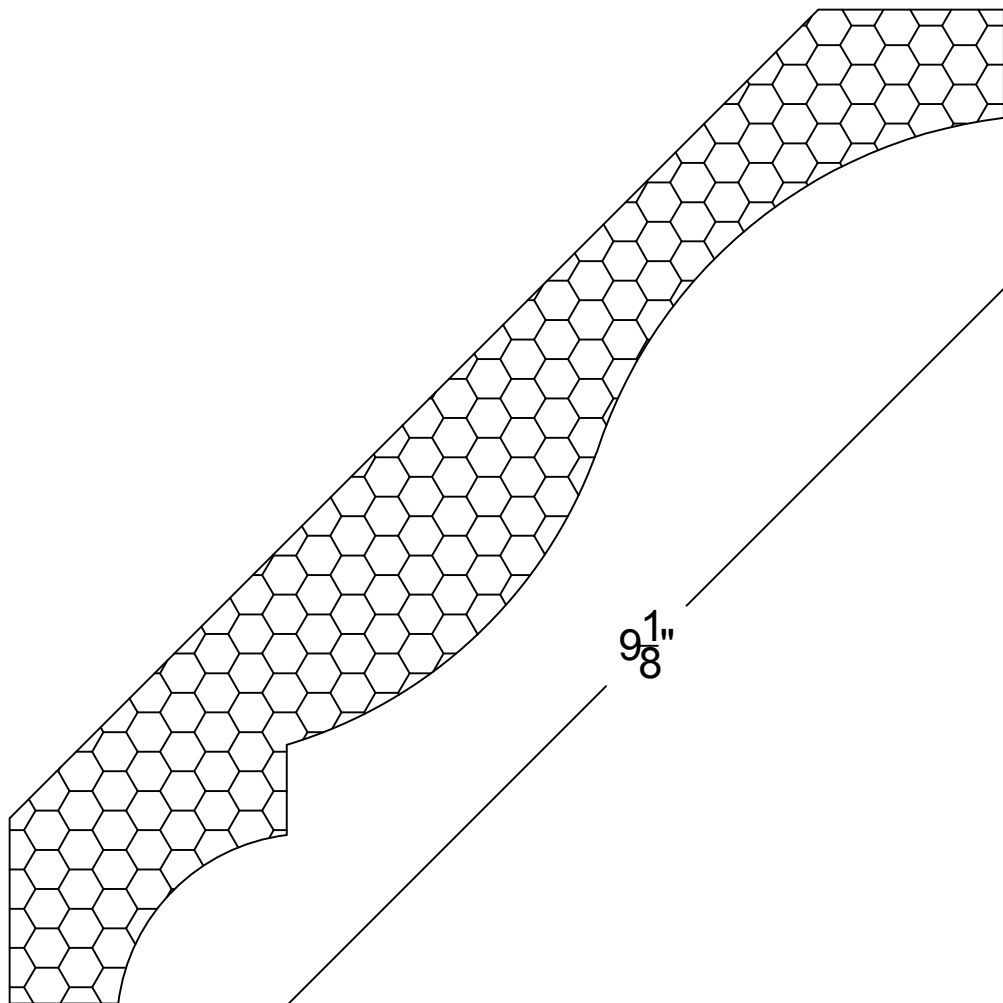
**Georgian**

6 $\frac{1}{2}$ "

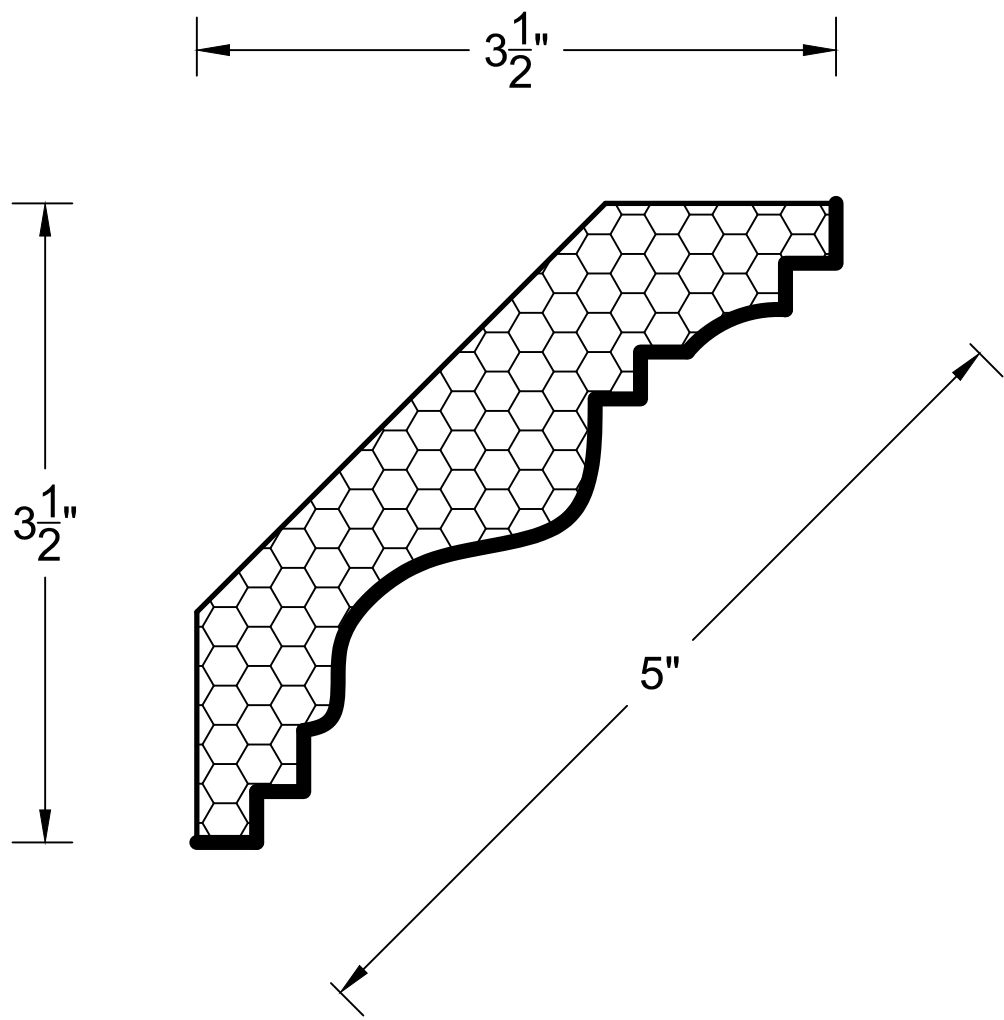
6 $\frac{1}{2}$ "

9 $\frac{1}{8}$ "

**IN-010-9"**



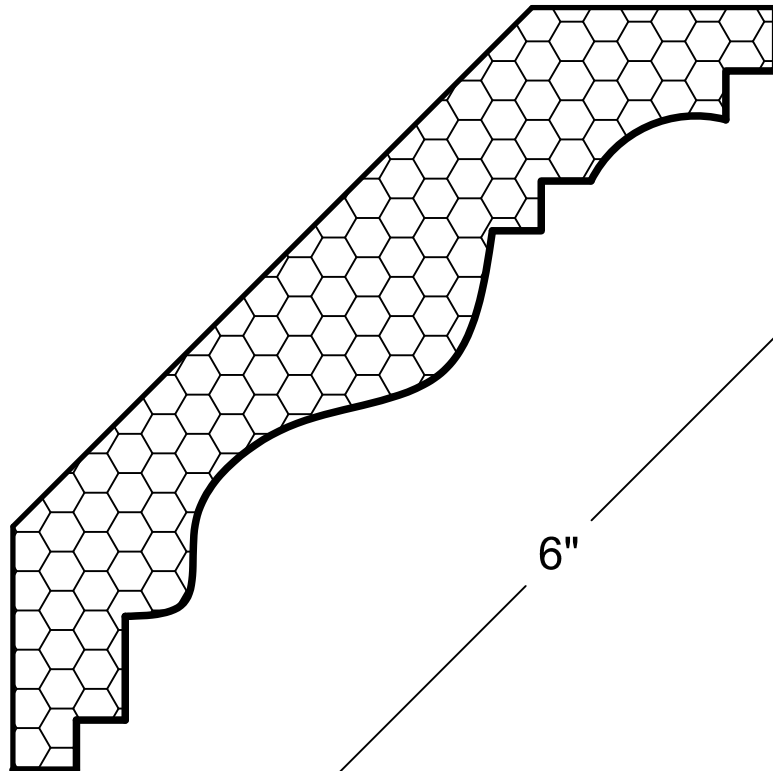




**Milan**

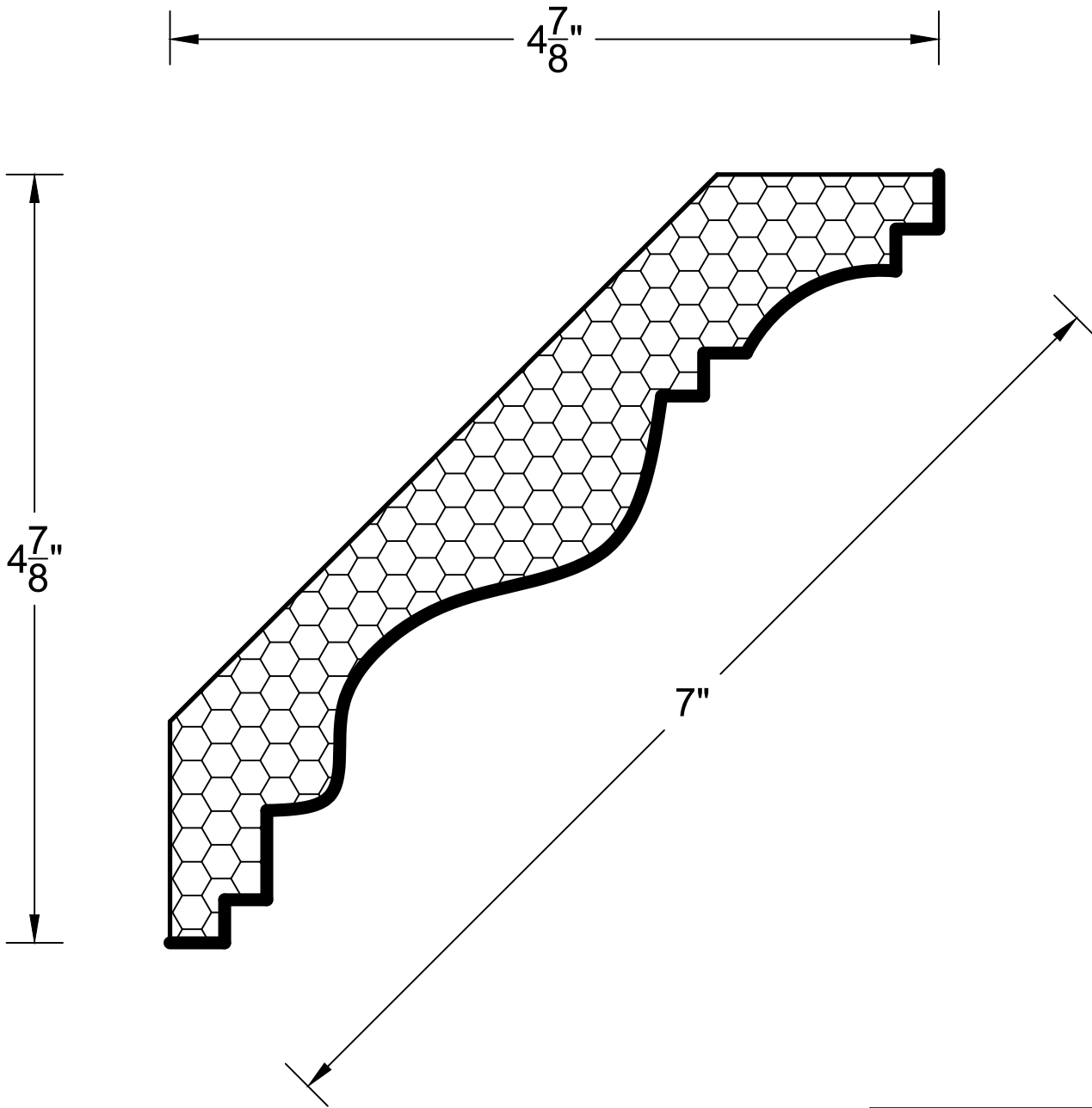
4 <sup>1</sup>/<sub>4</sub>"

4 <sup>1</sup>/<sub>4</sub>"



6"

**Milan**

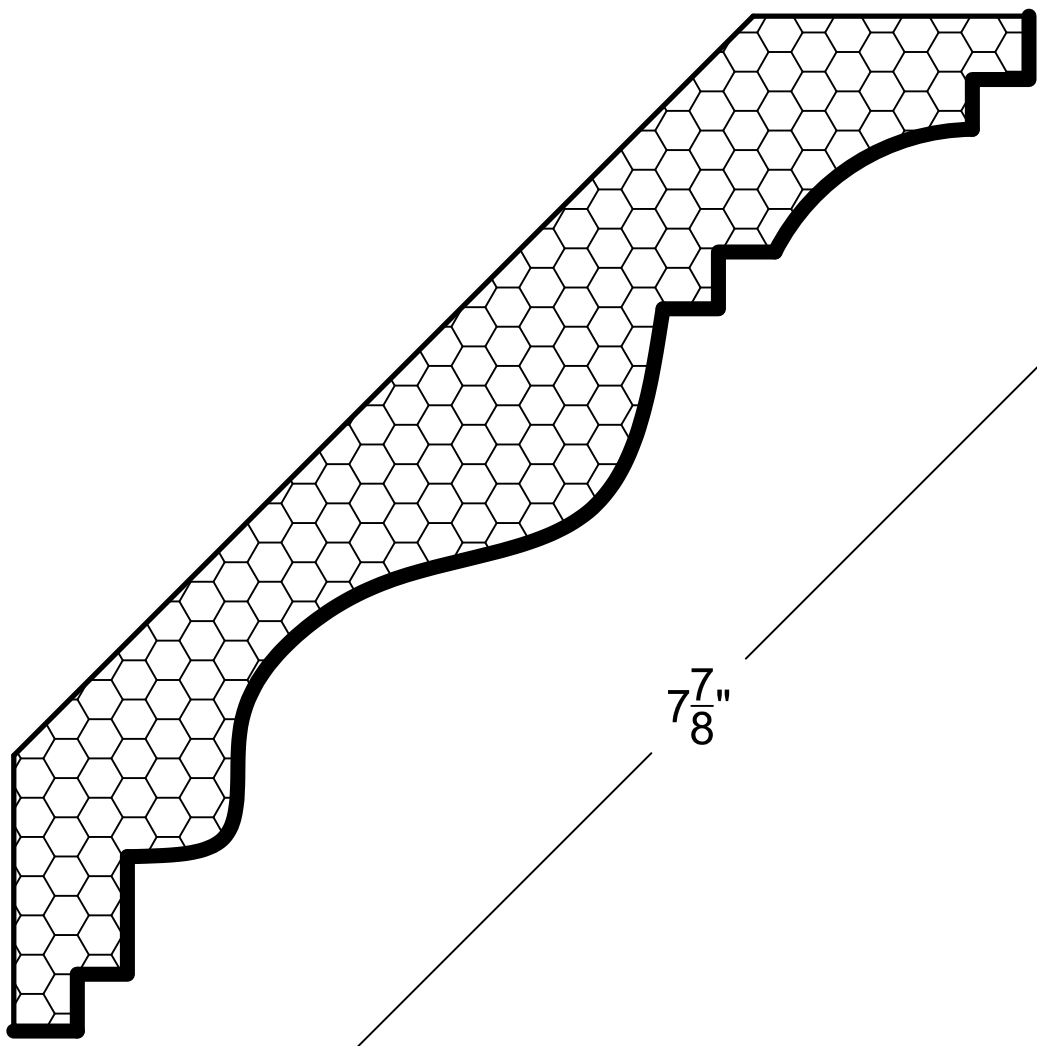


**Milan**

$5\frac{5}{8}$ "

$5\frac{5}{8}$ "

$7\frac{7}{8}$ "



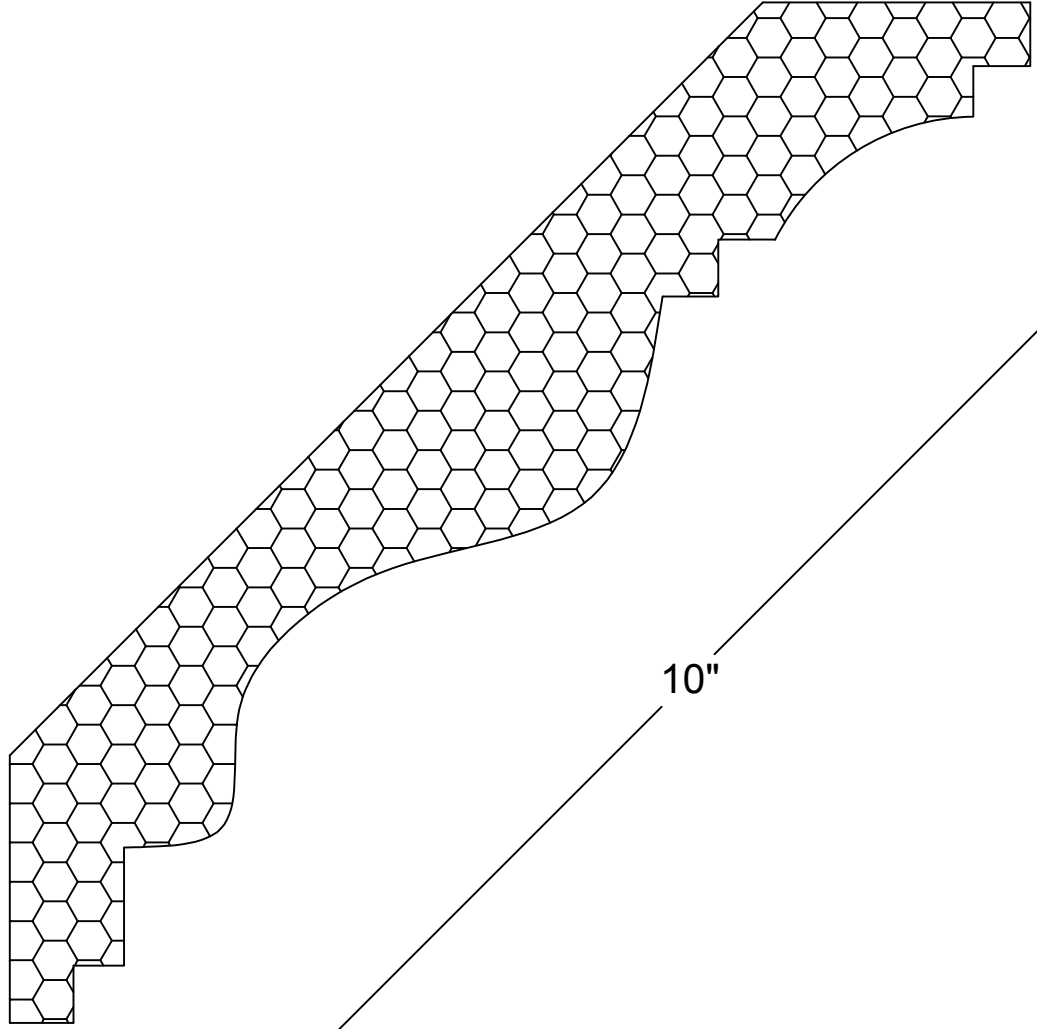
**Milan**

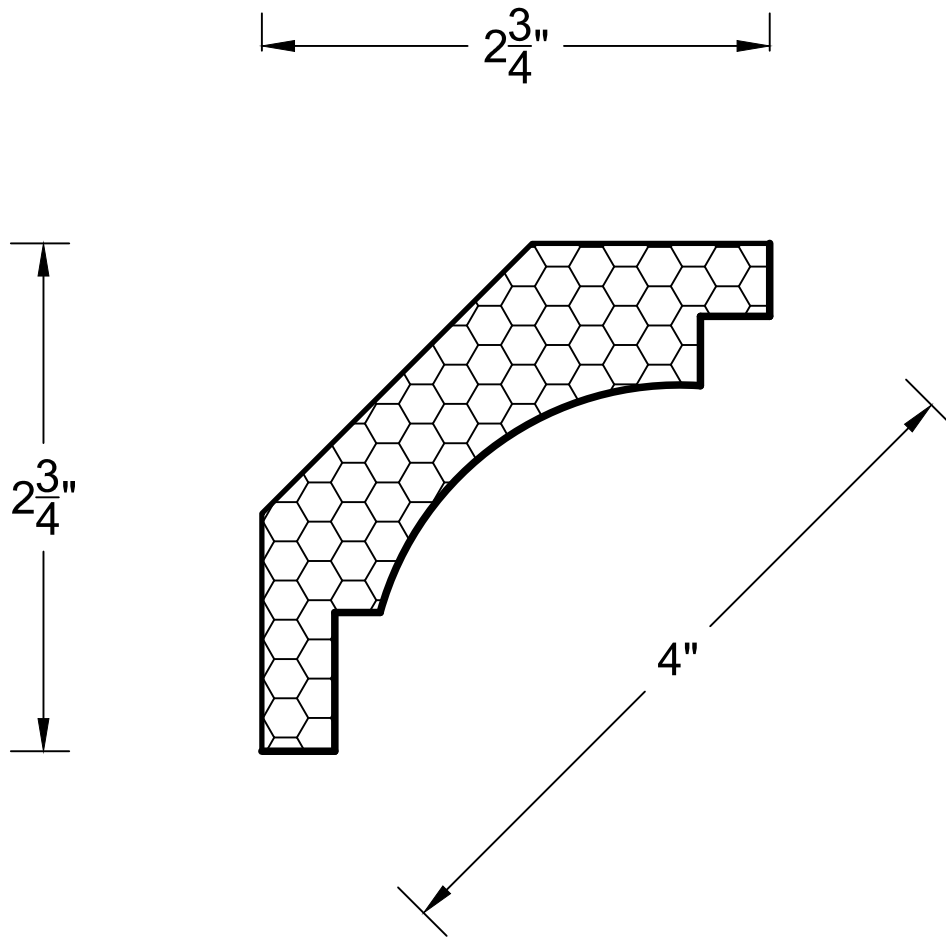
7"

7"

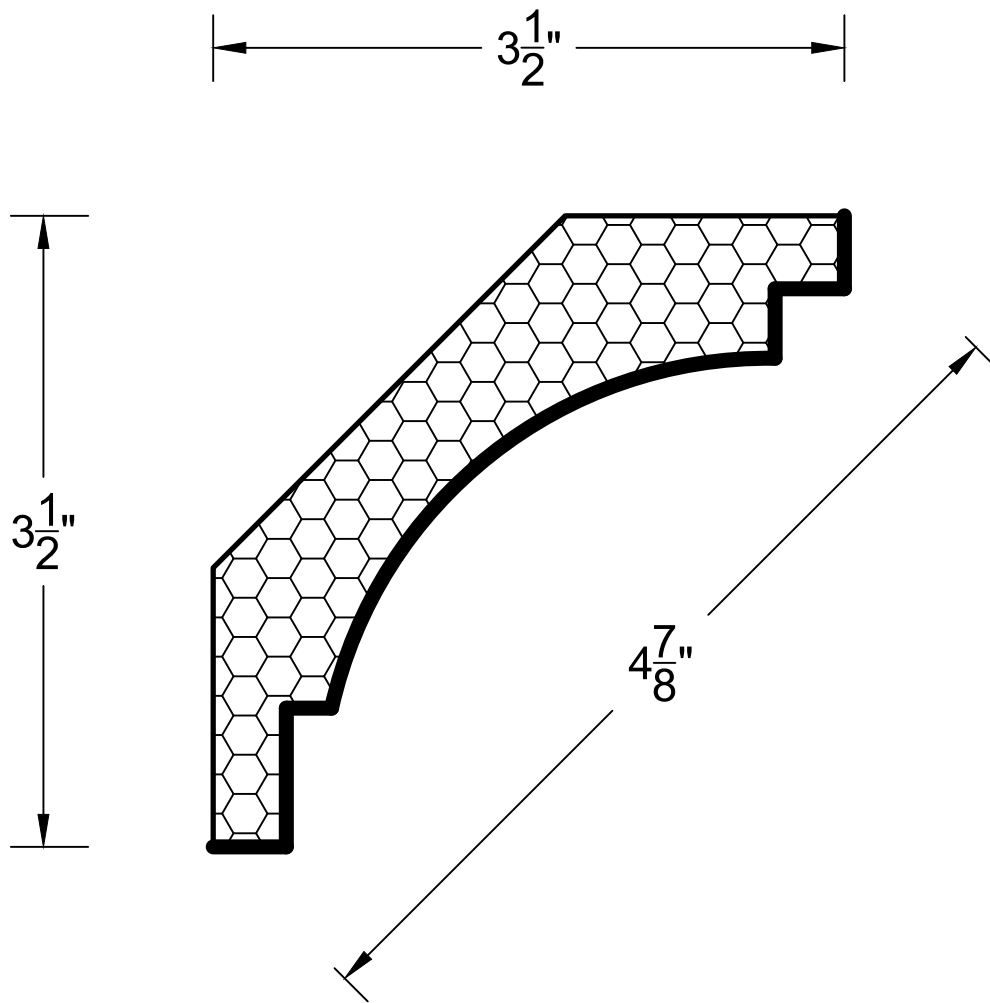
10"

**M1009-10"**

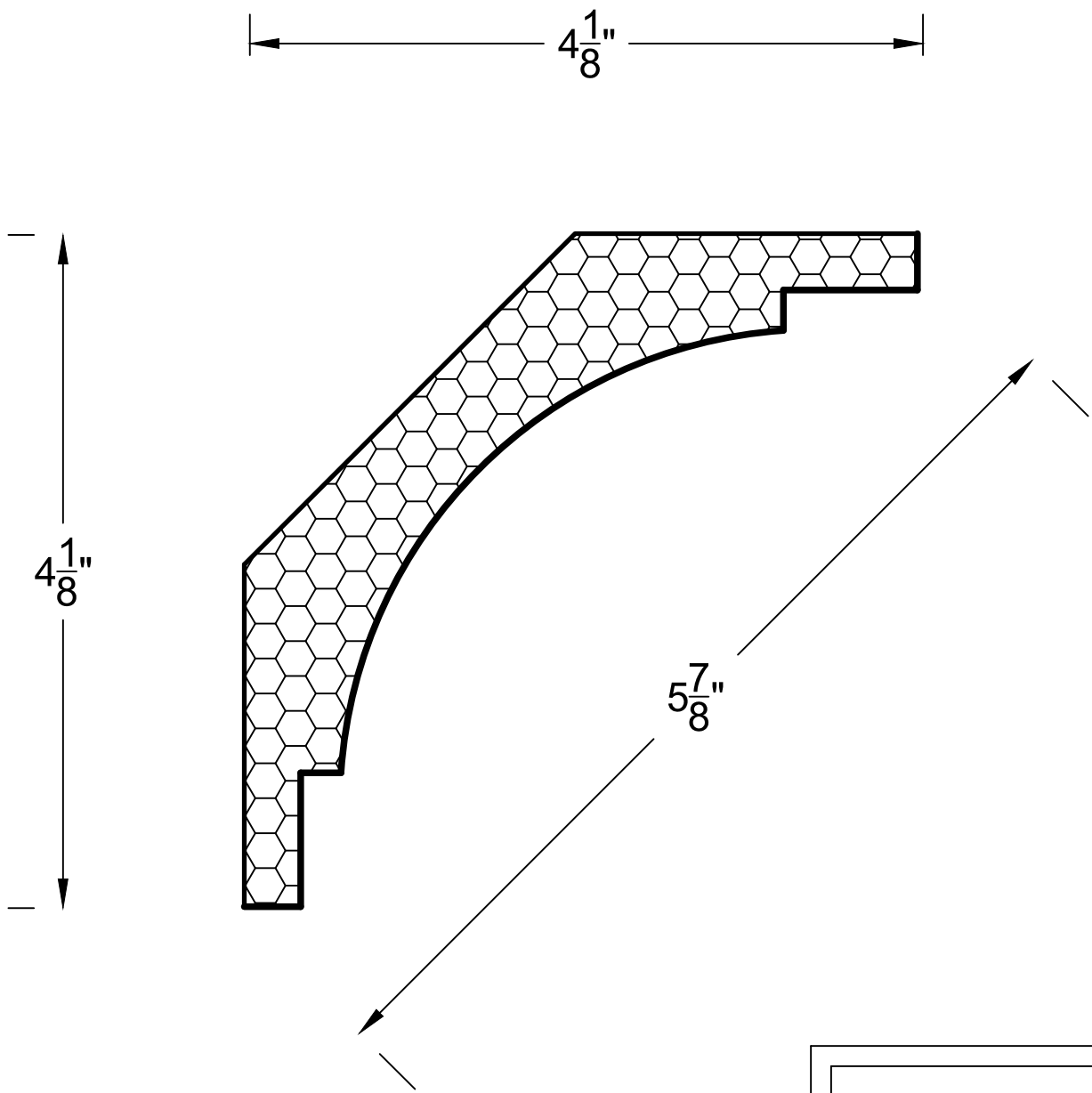




**One Step Cove**

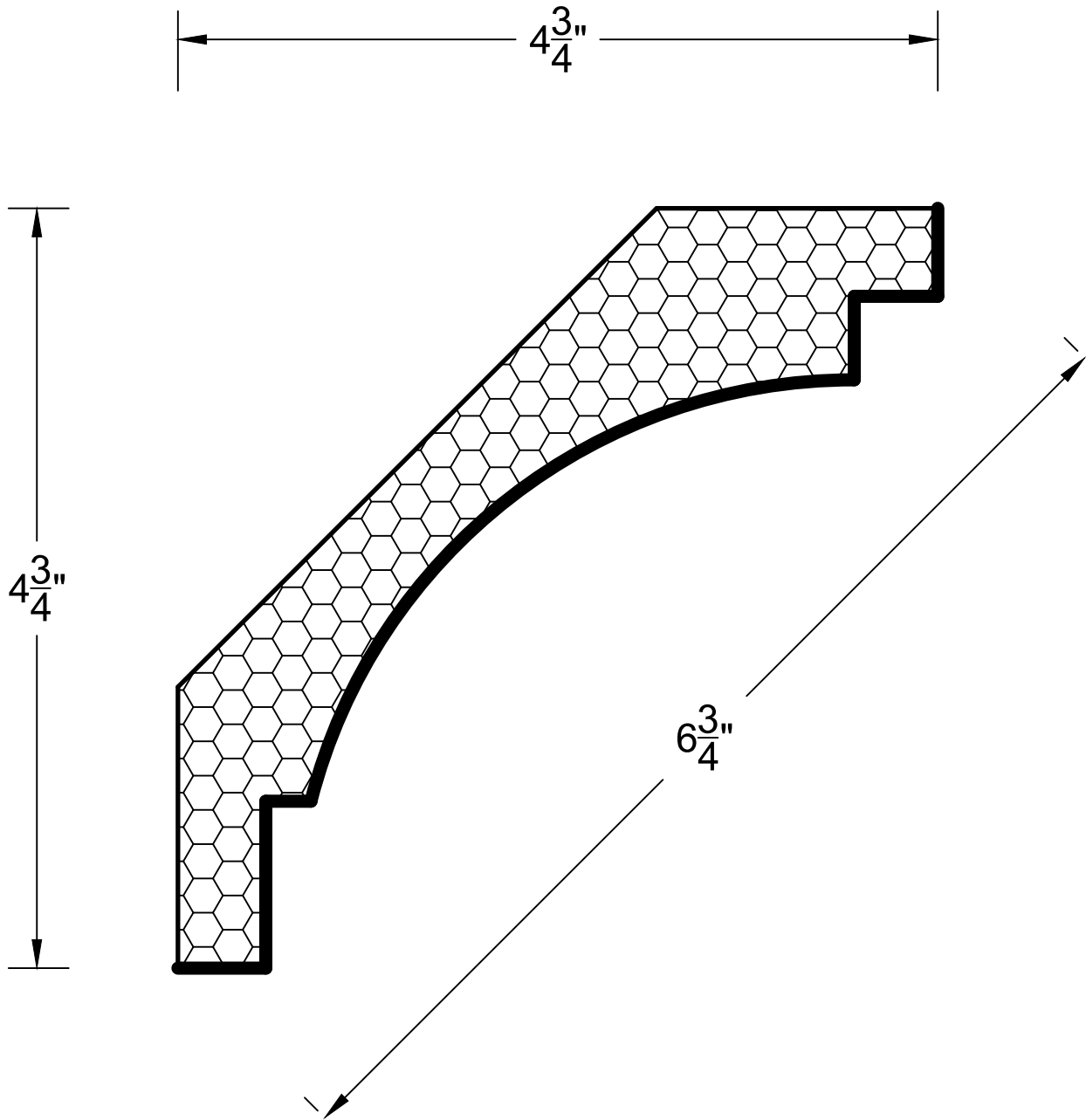


**One Step Cove**

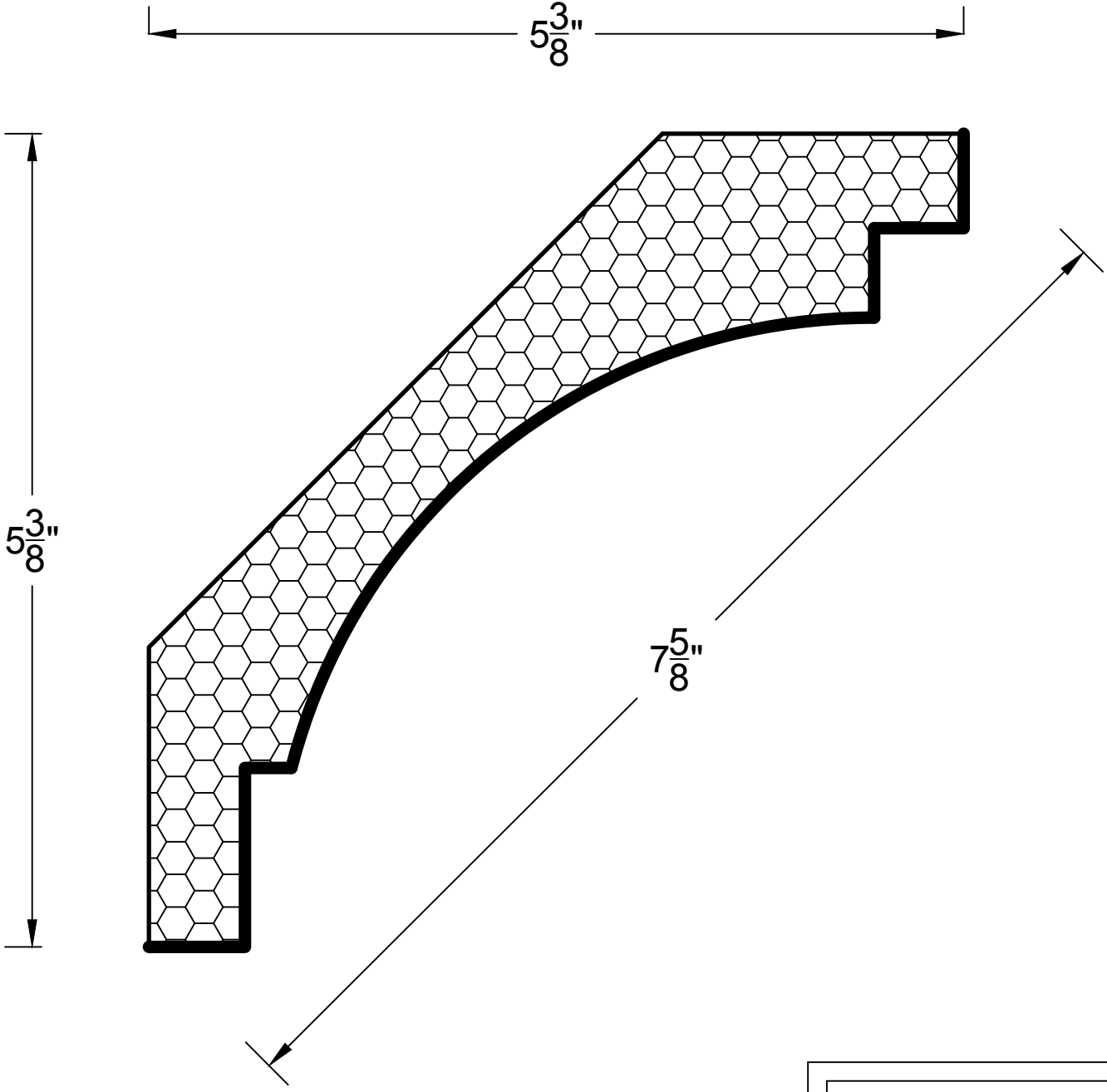


**One Step Cove**

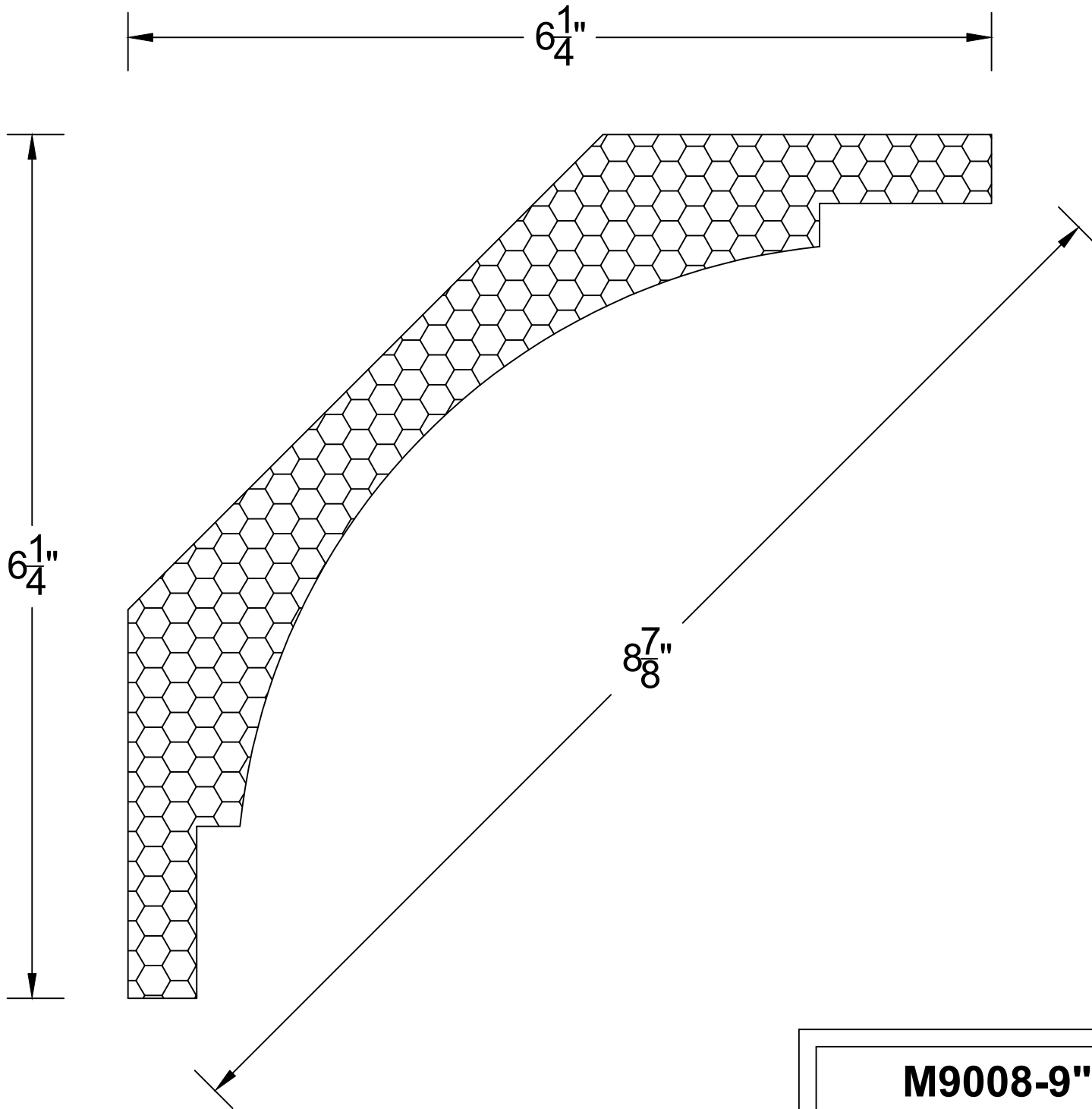




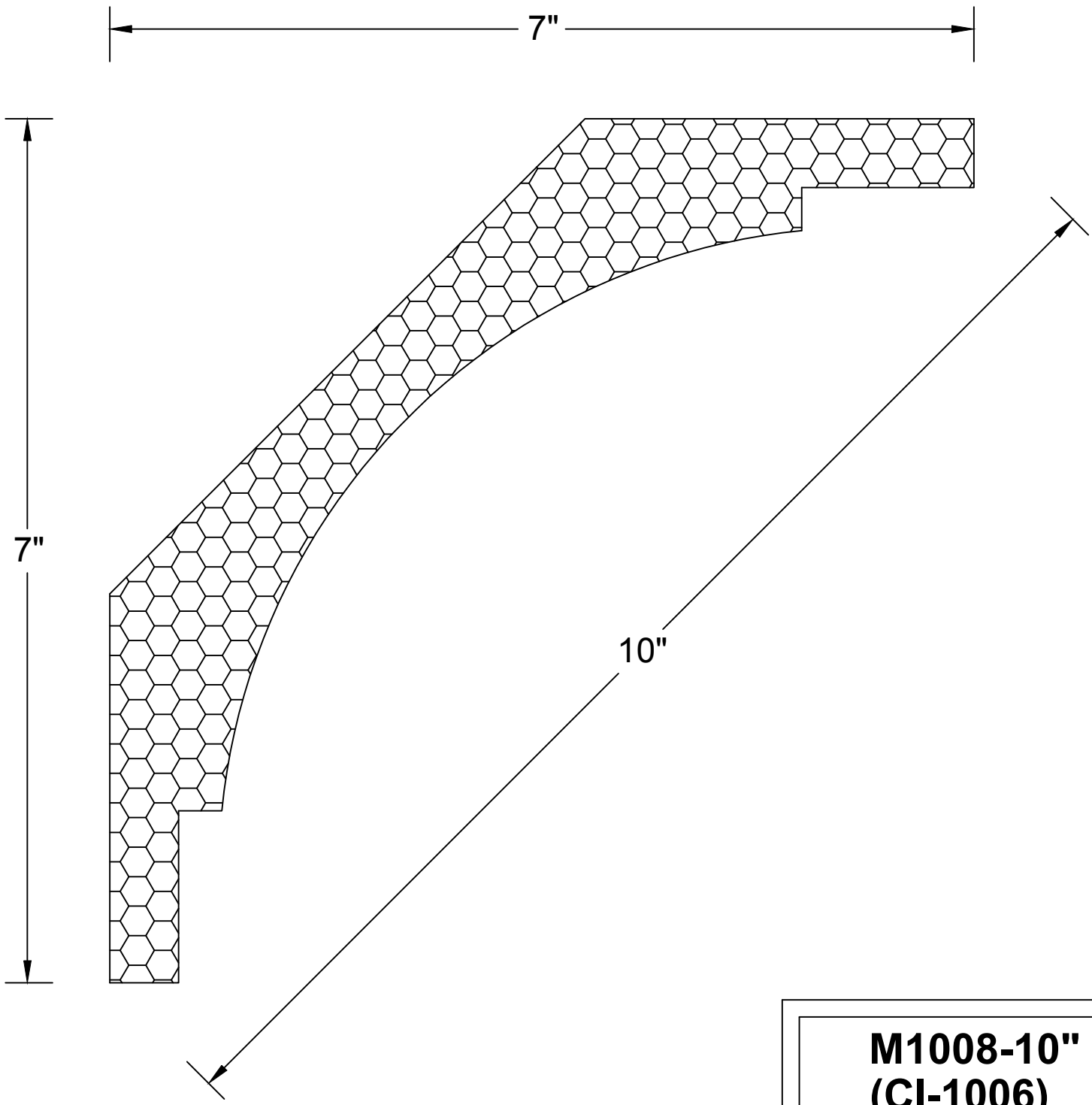
**One Step Cove**



**One Step Cove**



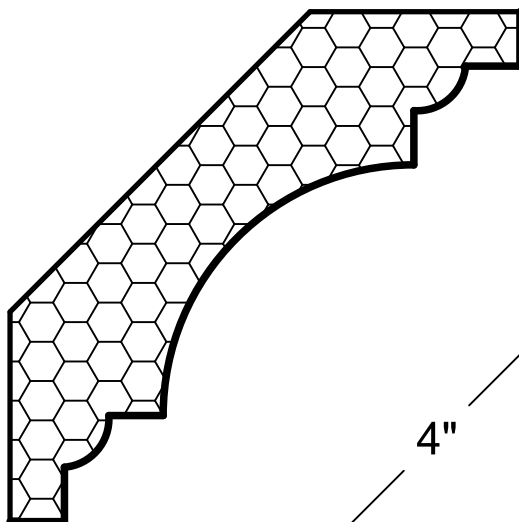
**M9008-9"**  
**(CI-906)**



**M1008-10"**  
**(CI-1006)**

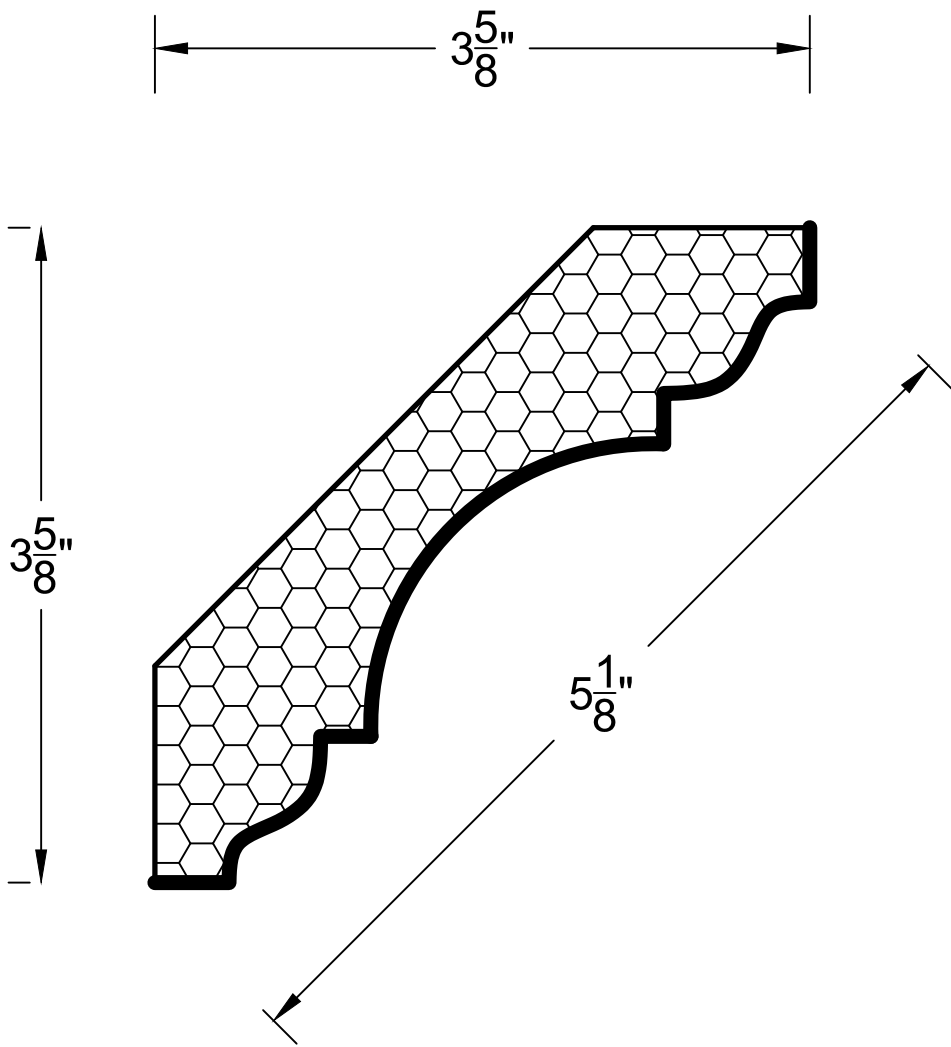
$2\frac{7}{8}"$

$2\frac{7}{8}"$

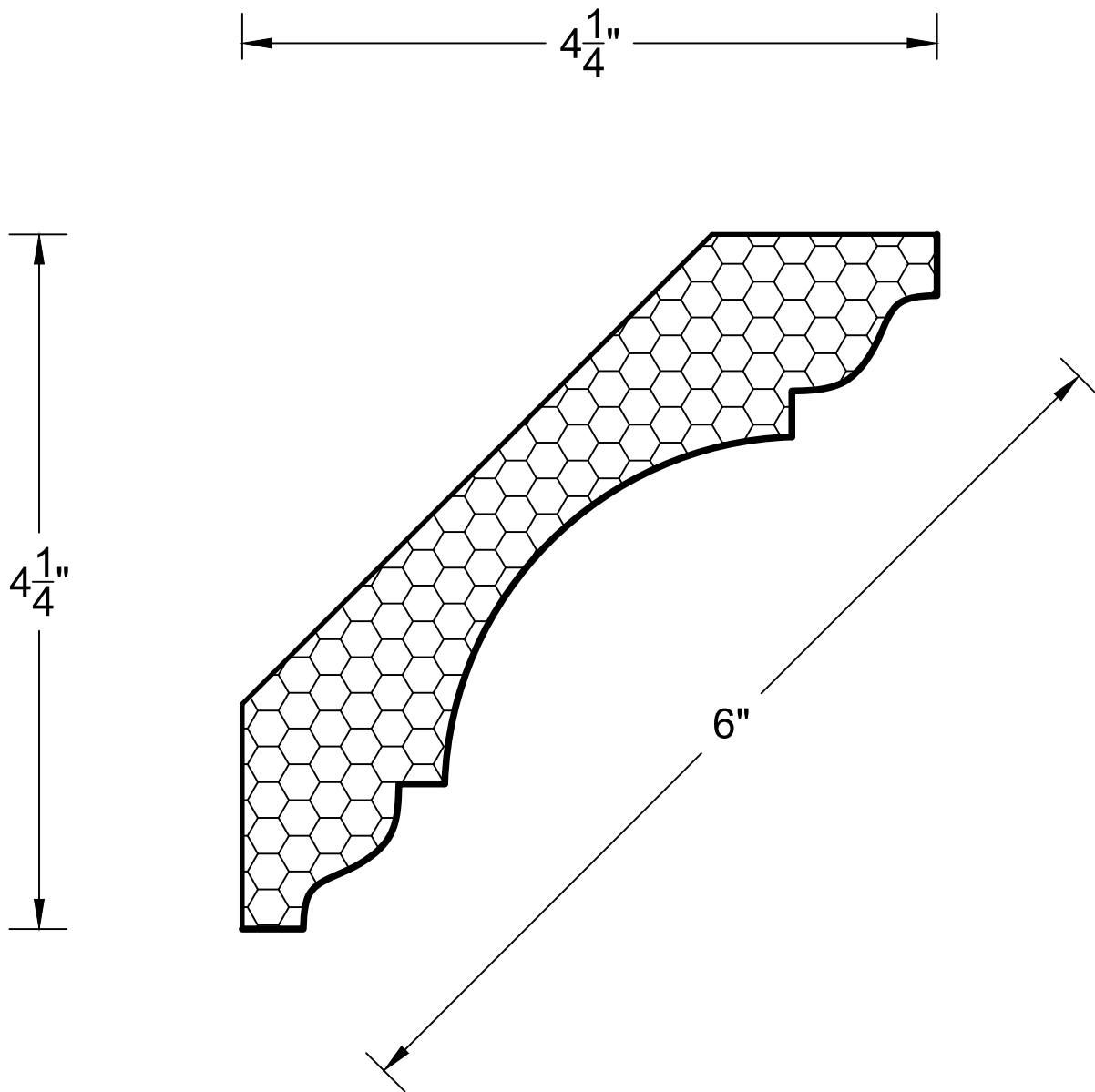


4"

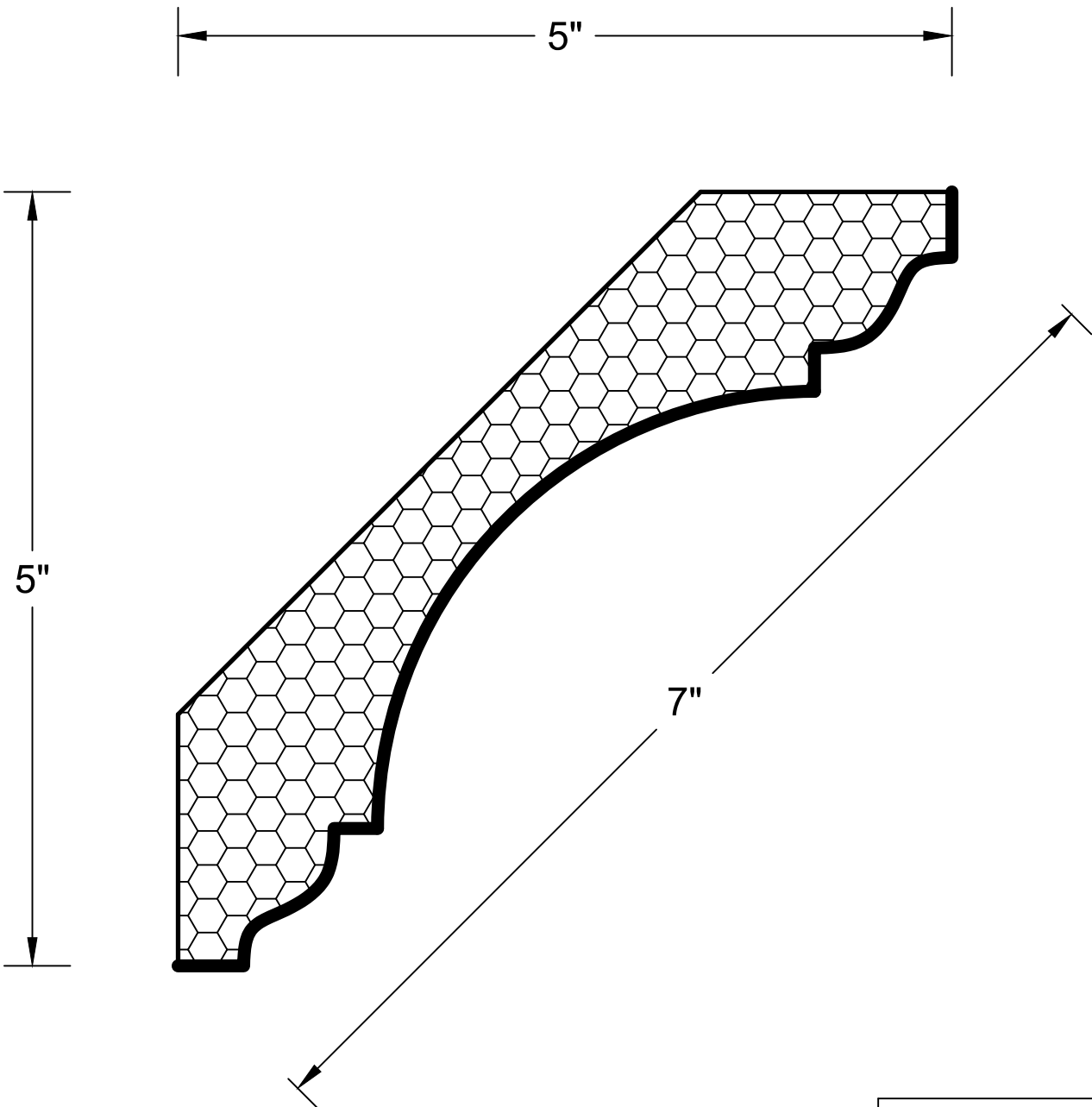
**Symmetrical**



**Symmetrical**

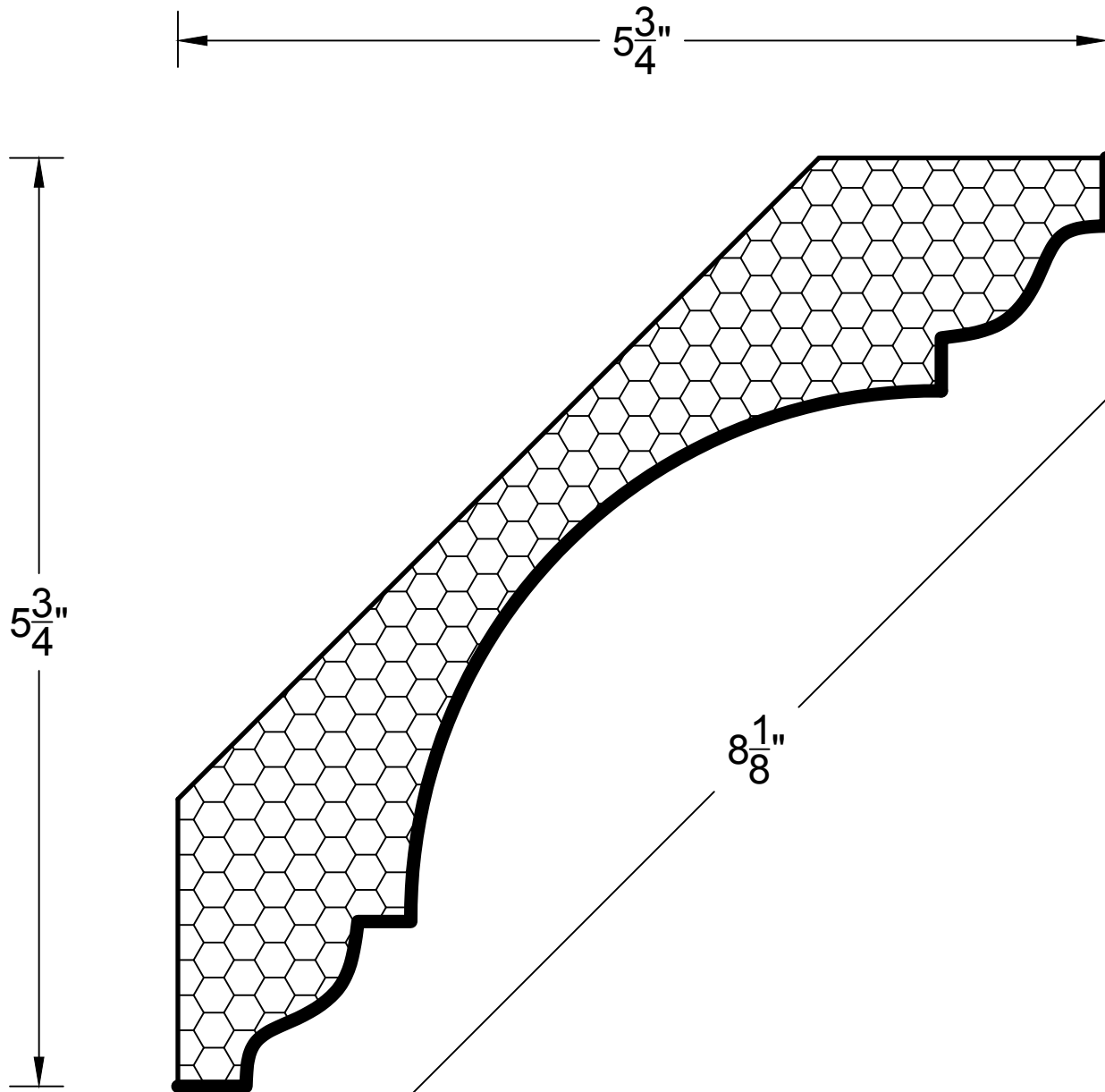


**Symmetrical**

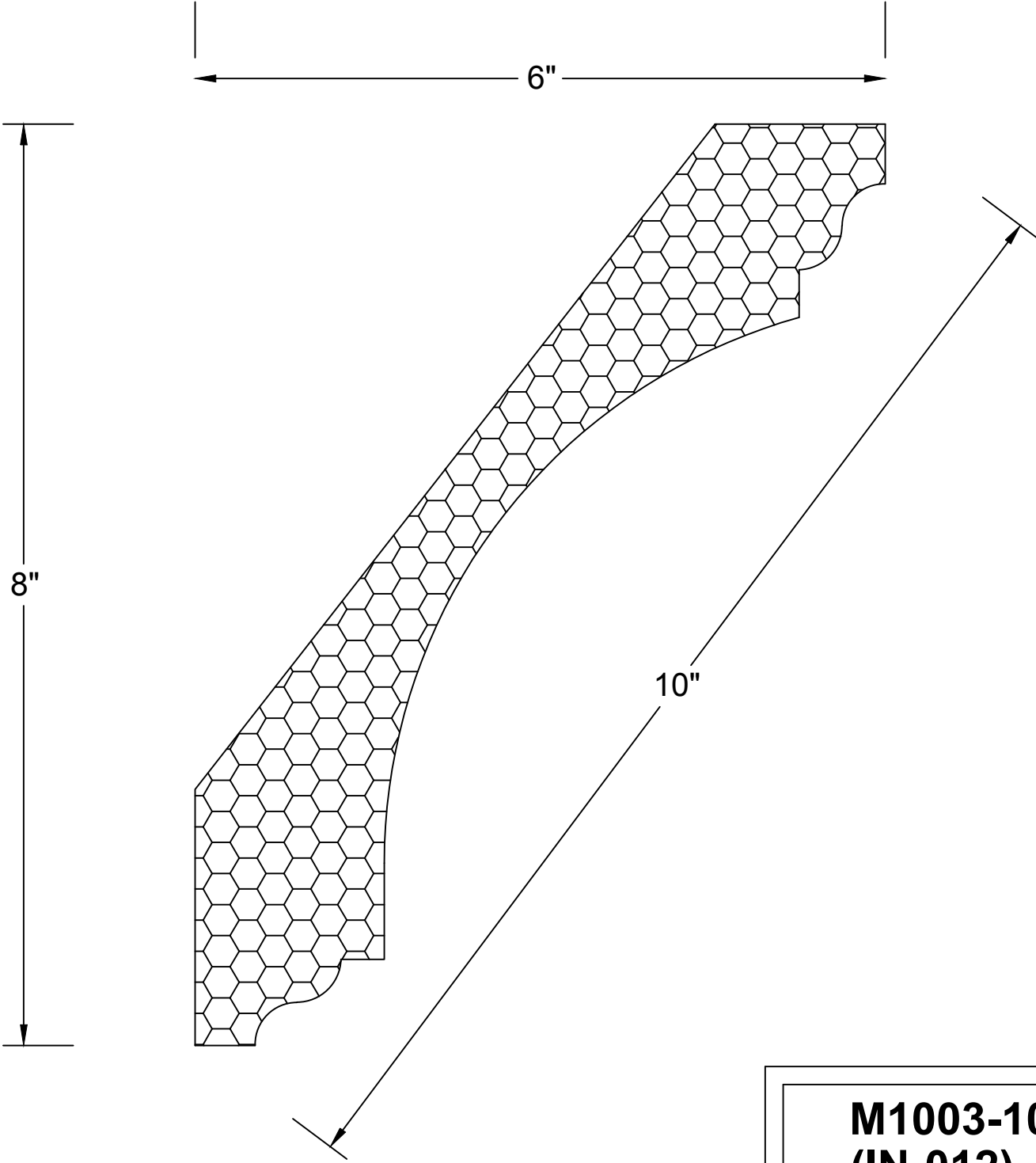


**Symmetrical**





**Symmetrical**



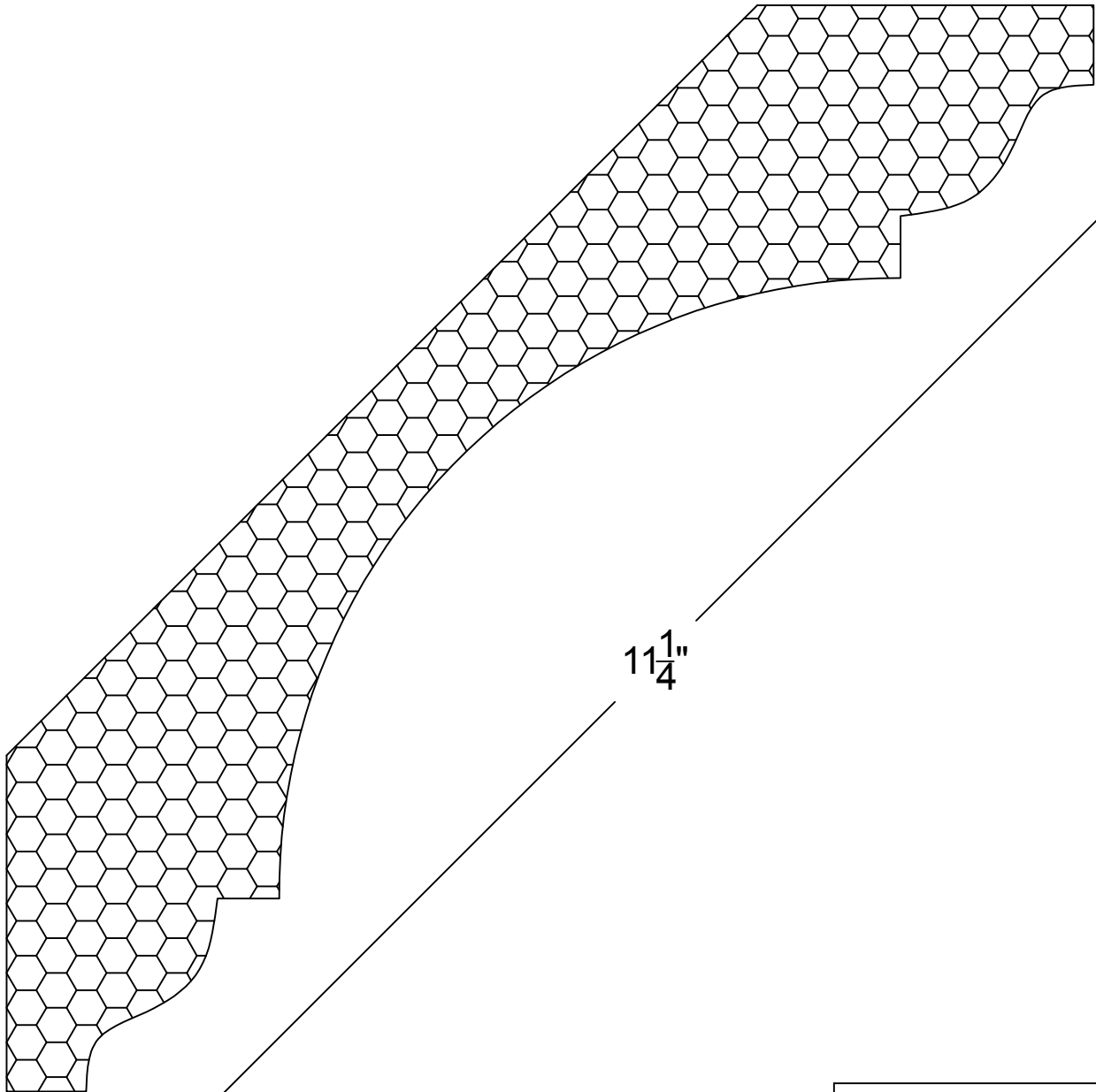
**M1003-10"**  
**(IN-012)**

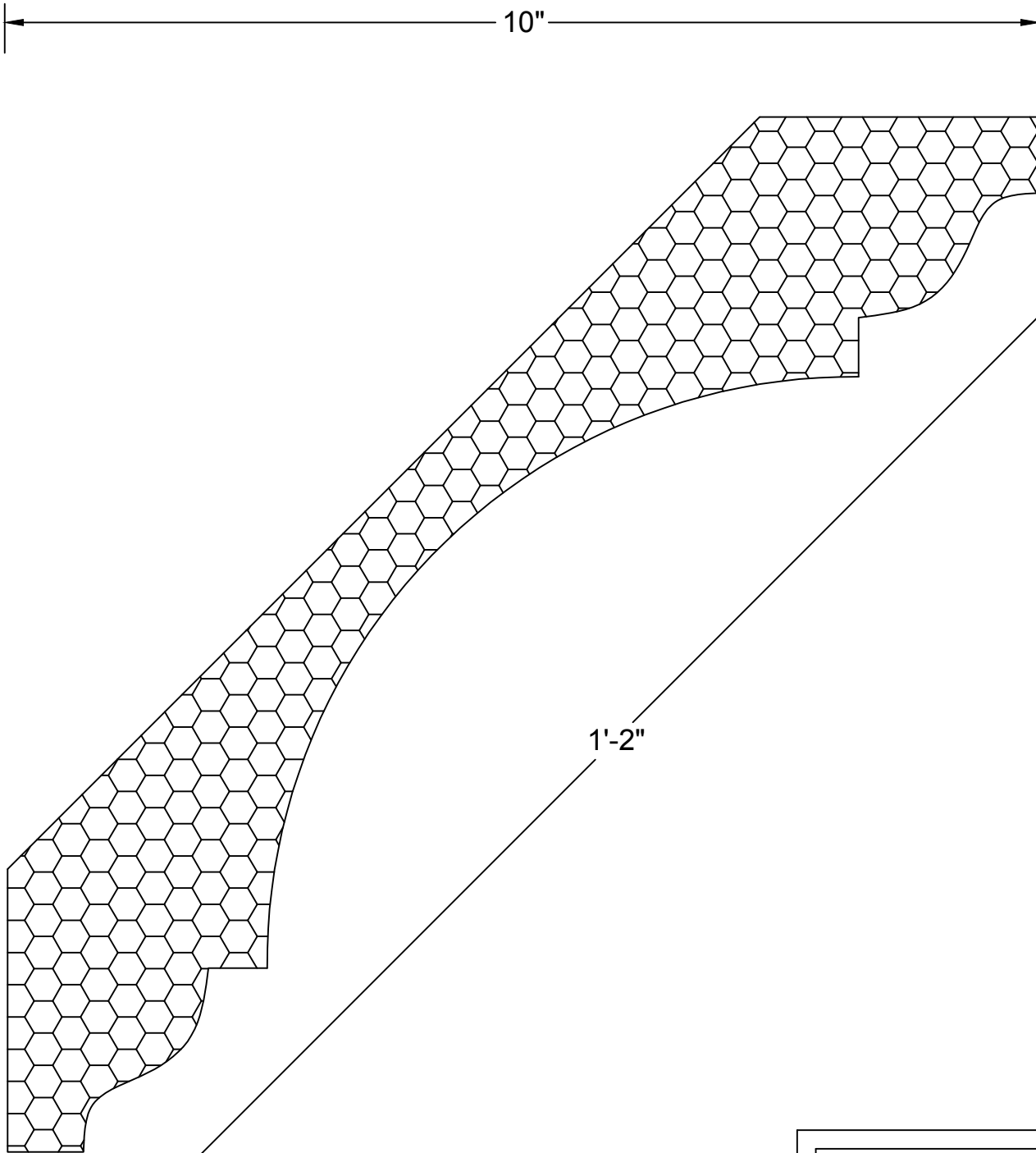
8"

8"

$11\frac{1}{4}"$

**M1103-11.25"**

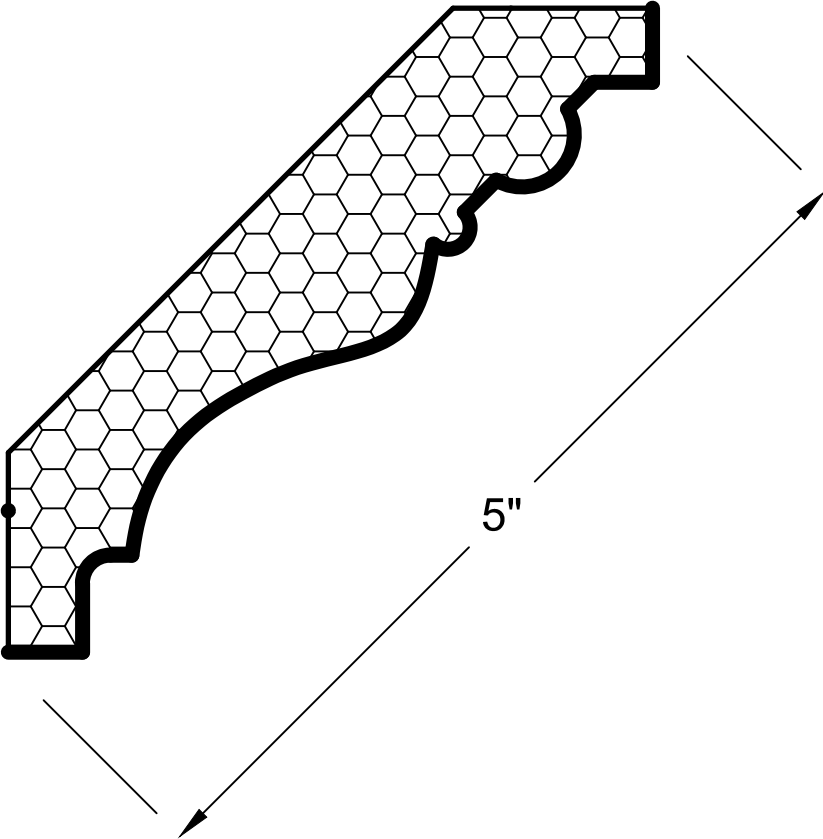




**M1403-14"**

3 1/2"

3 1/2"

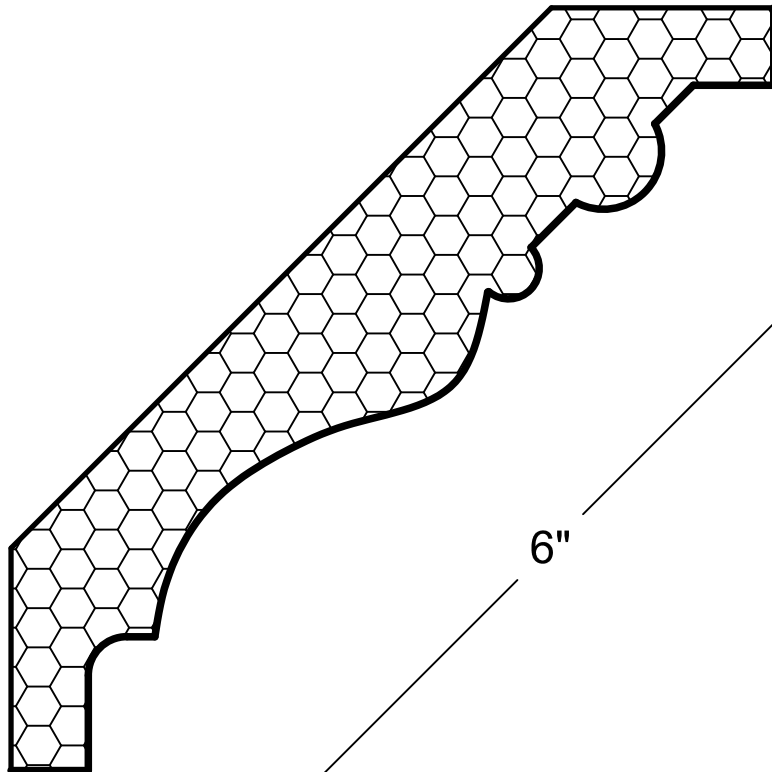


5"

**Tuscany**

4 <sup>1</sup>/<sub>4</sub>"

4 <sup>1</sup>/<sub>4</sub>"



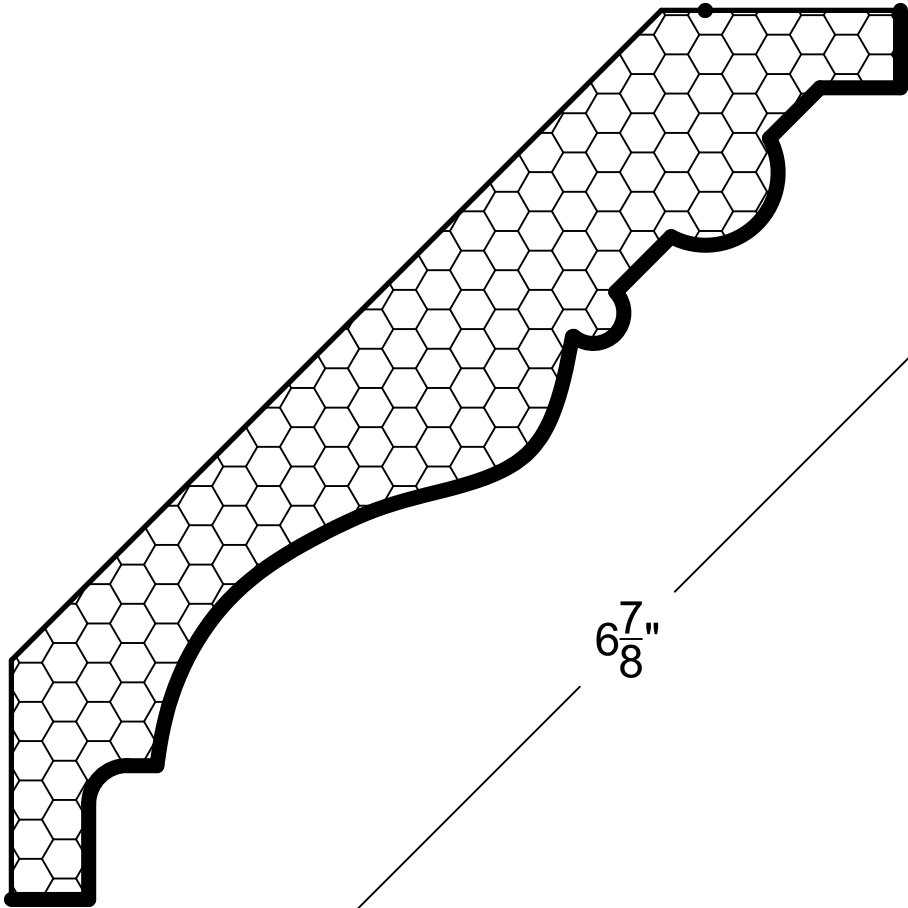
6"

**Tuscany**

$4\frac{7}{8}"$

$4\frac{7}{8}"$

$6\frac{7}{8}"$

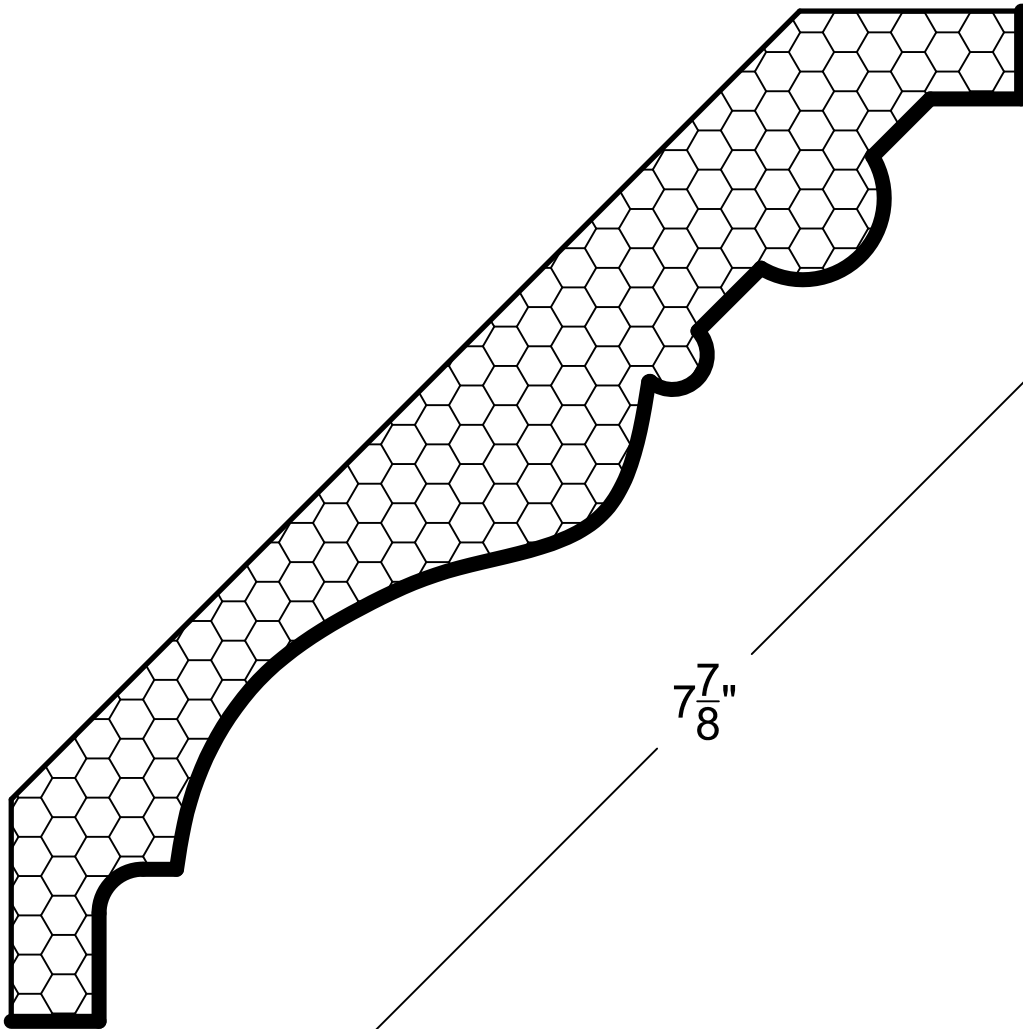


**Tuscany**

5 5/8"

5 5/8"

7 7/8"

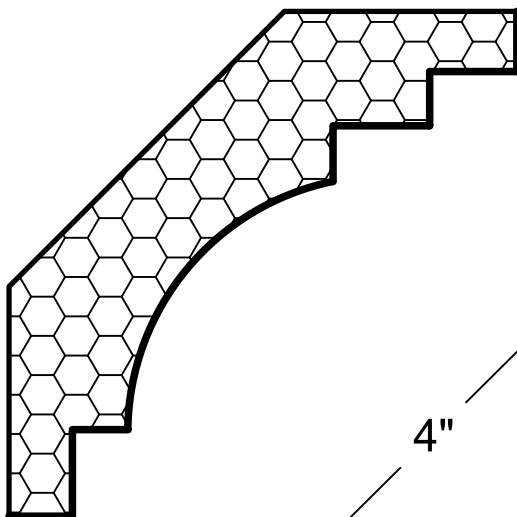


**Tuscany**



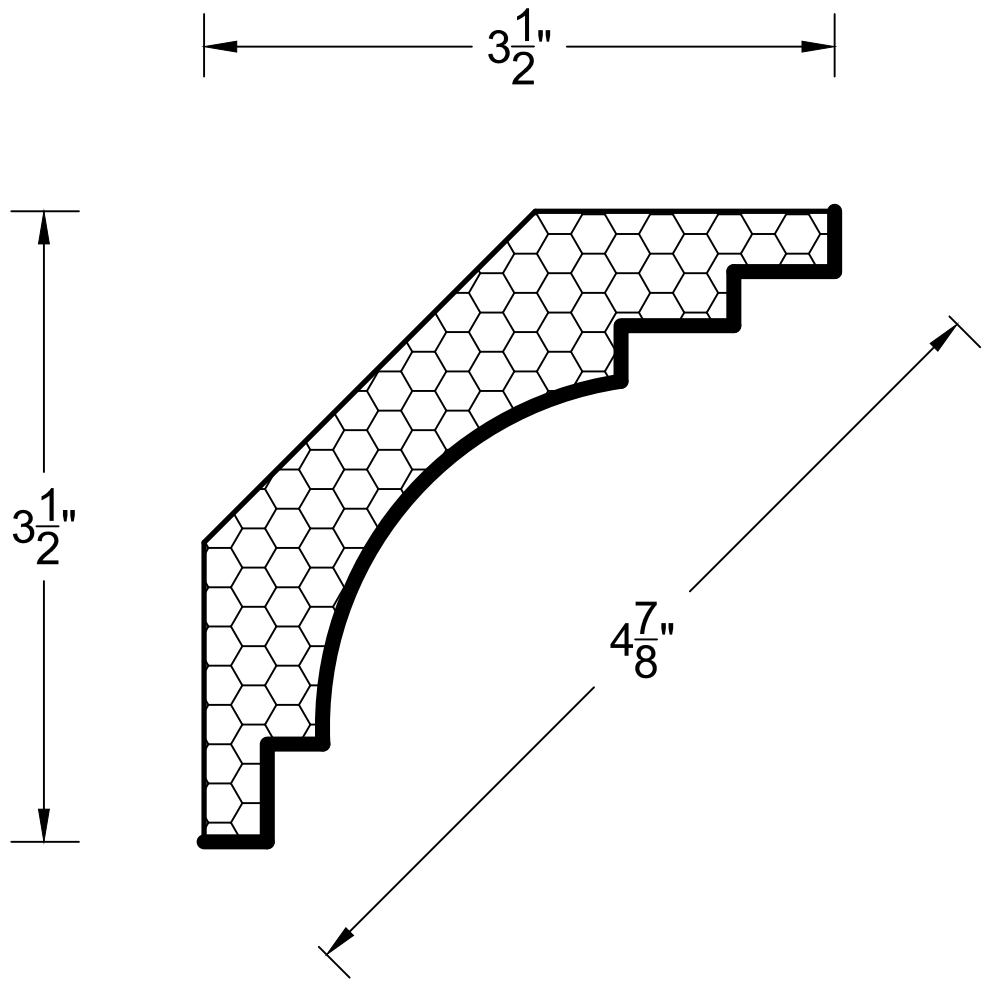
2 $\frac{3}{4}$ "

2 $\frac{3}{4}$ "

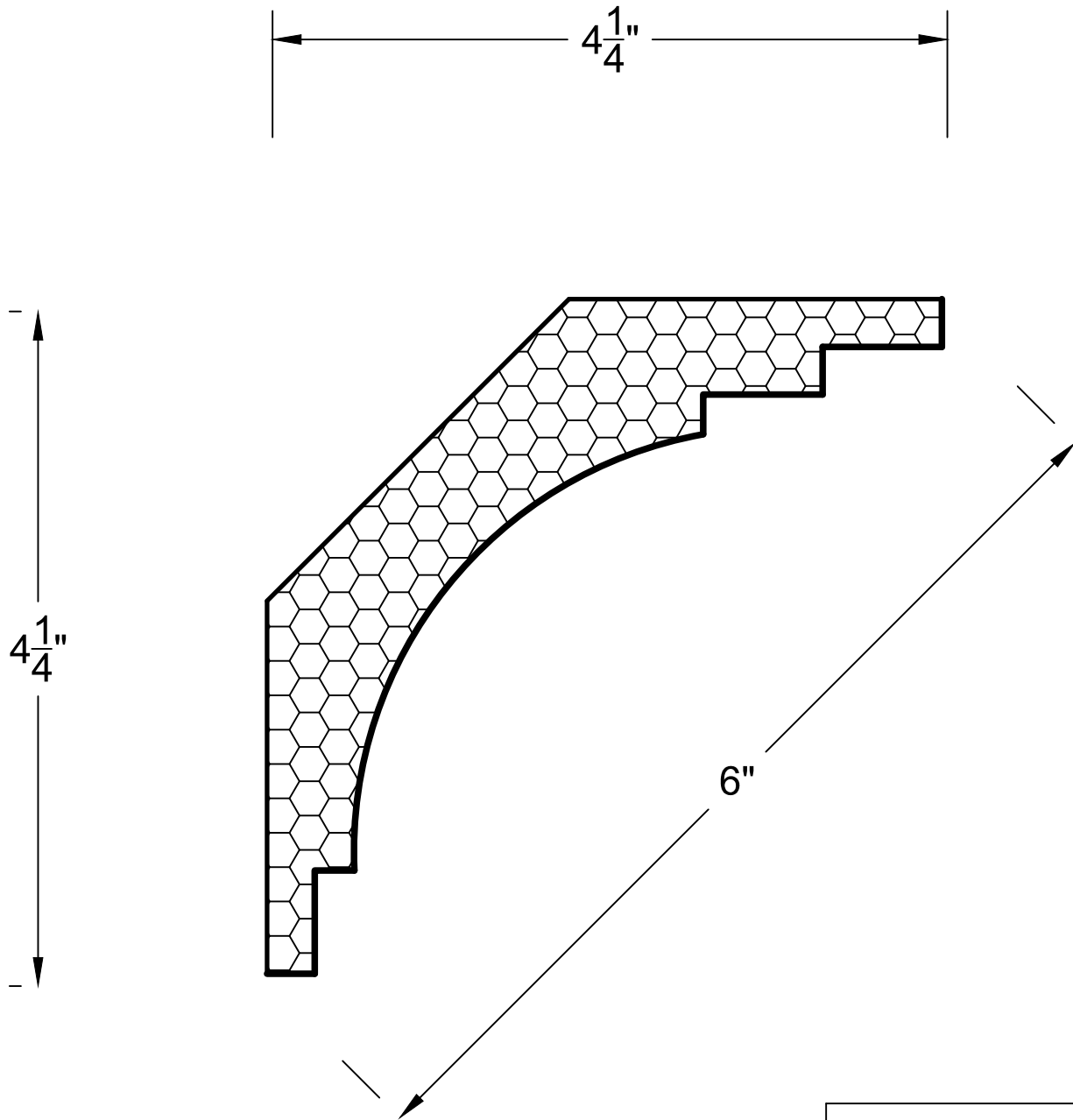


4"

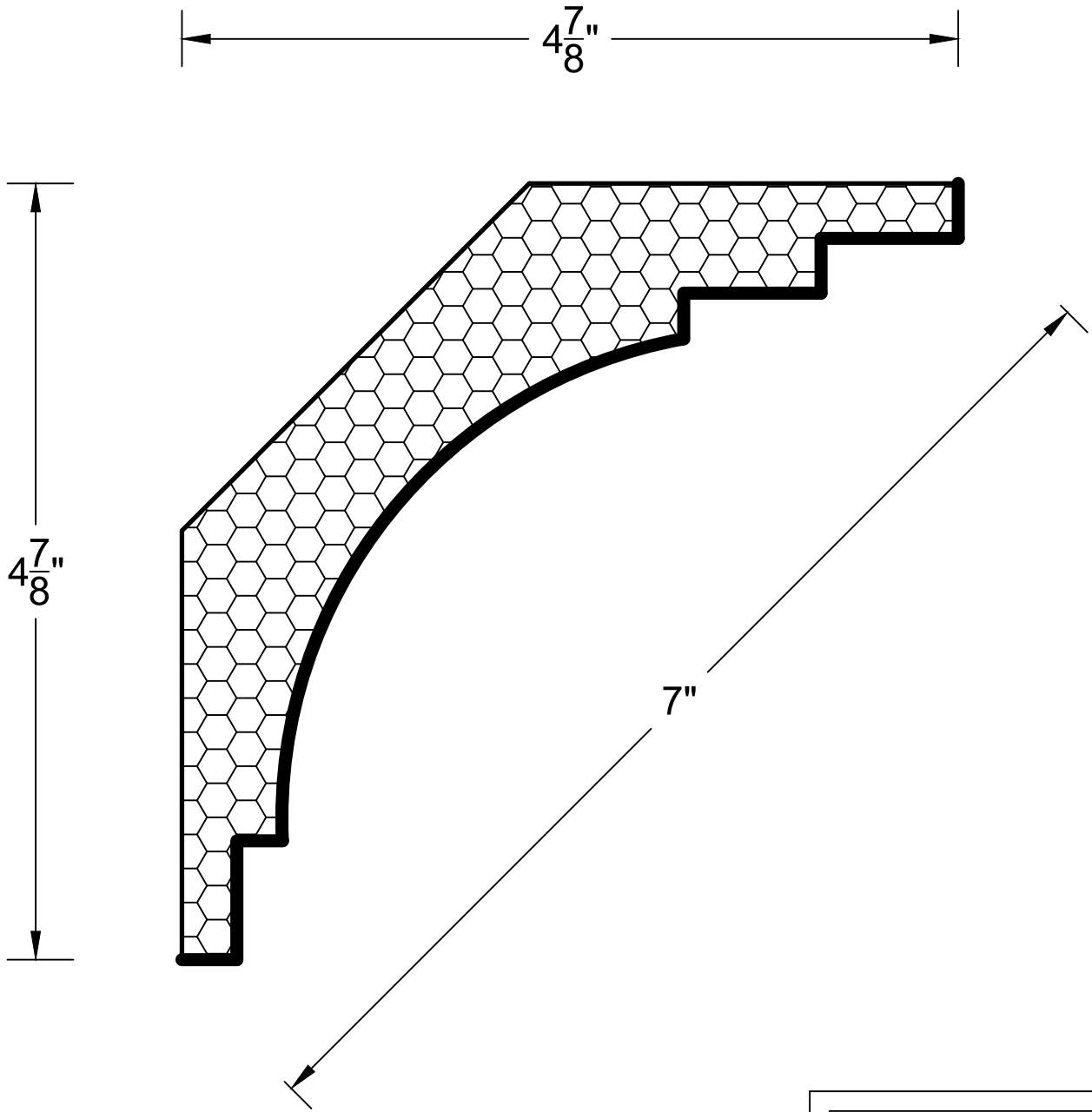
**Two Steps Cove**



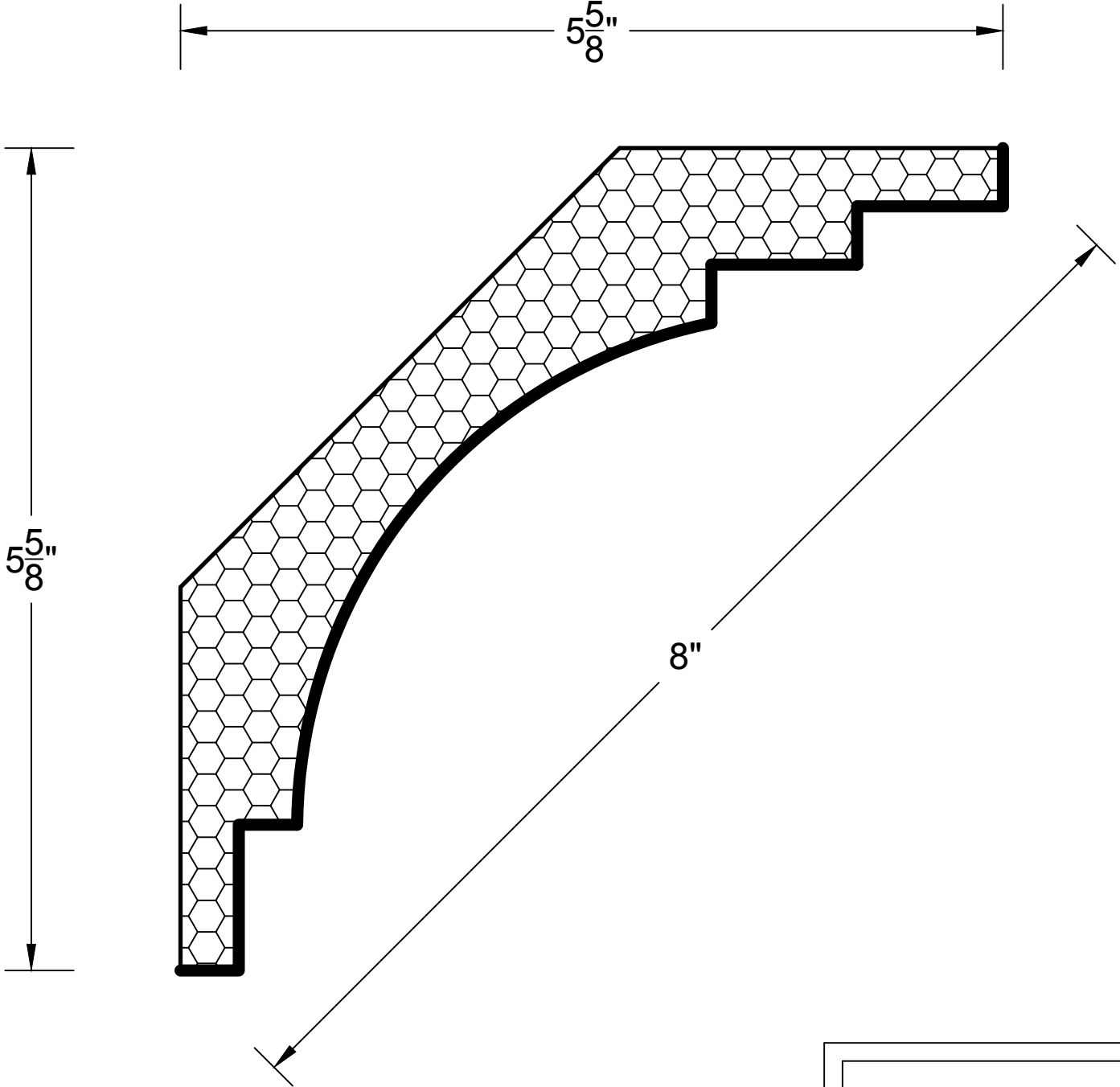
**Two Steps Cove**



**Two Steps Cove**



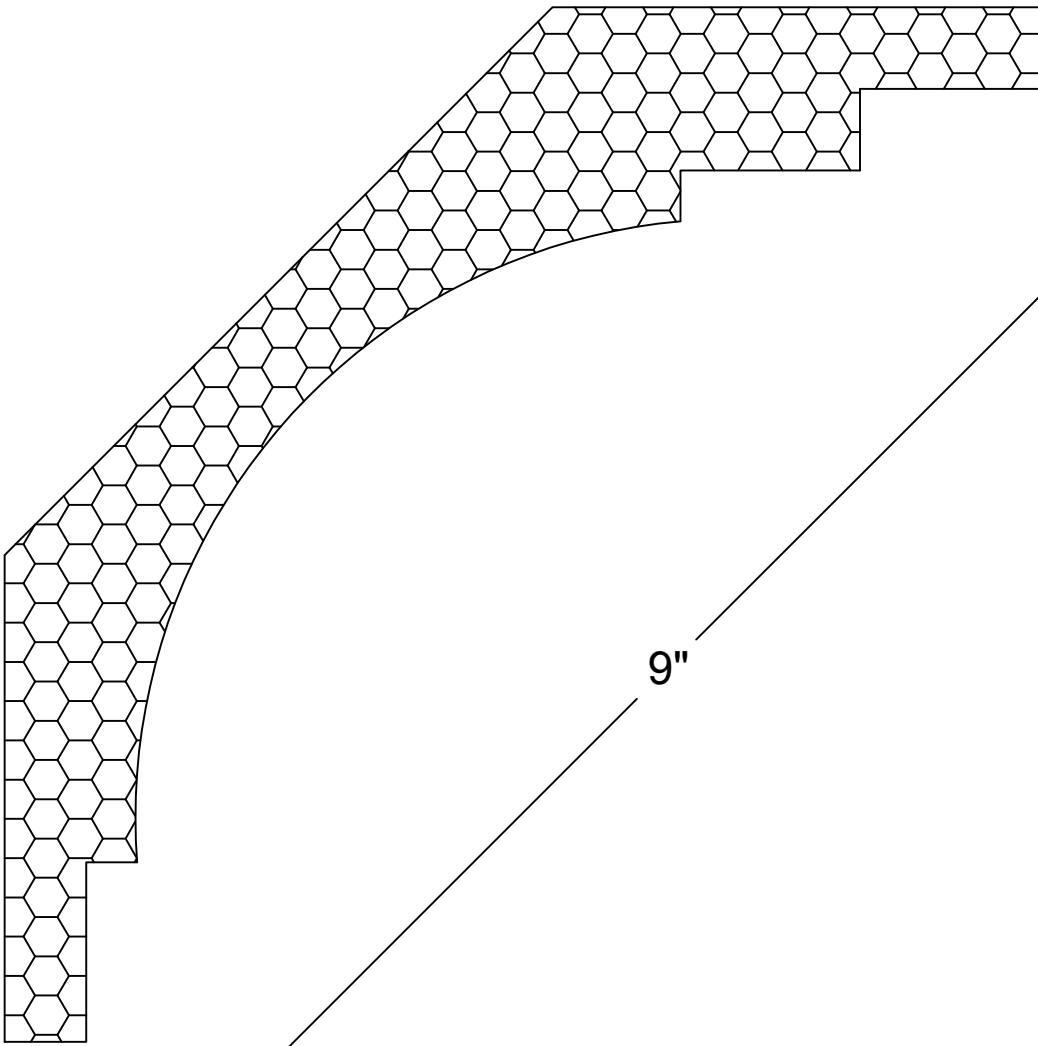
**Two Steps Cove**



**Two Steps Cove**

8 1/2"

8 1/2"



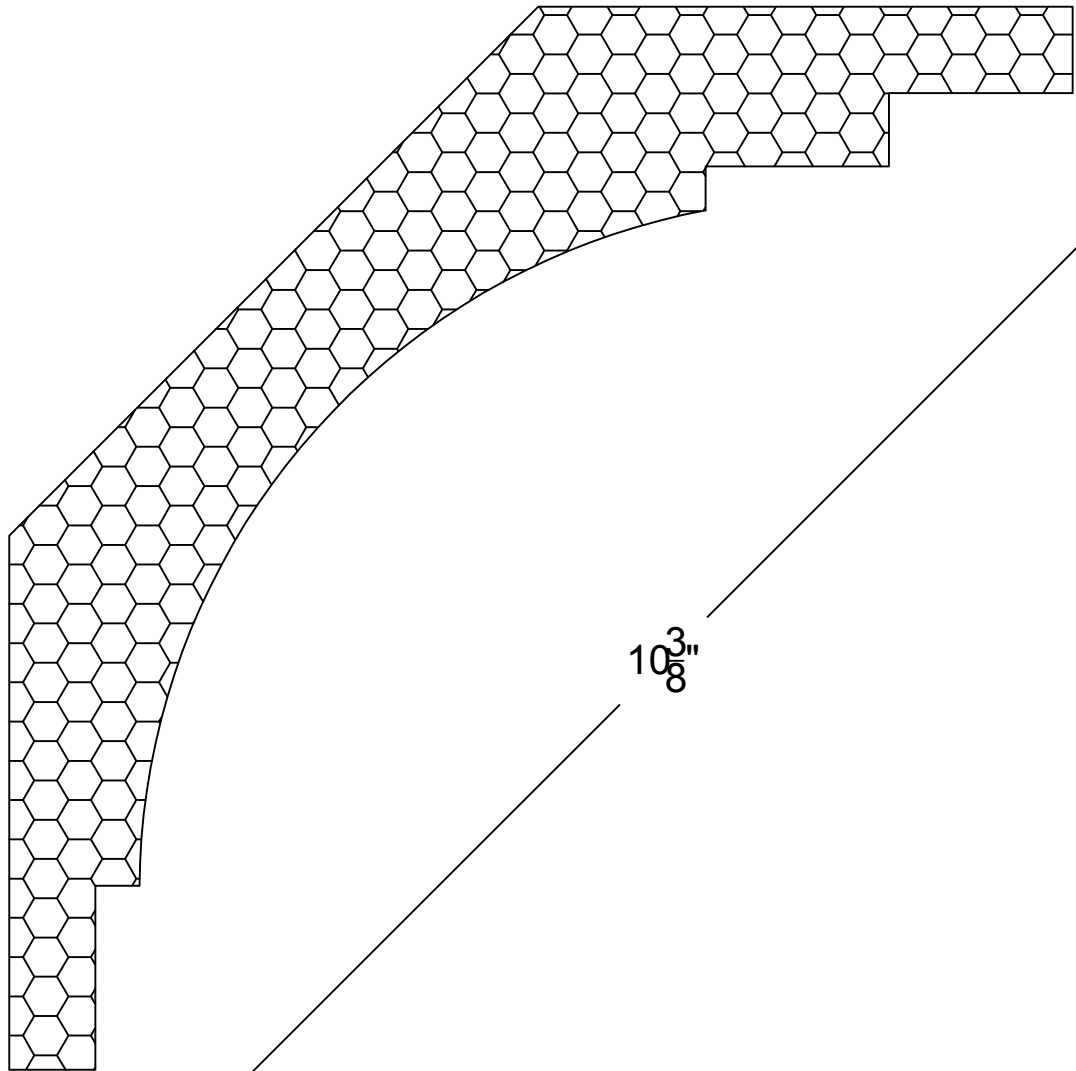
**M9010-9"**

$7\frac{3}{8}$ "

$7\frac{3}{8}$ "

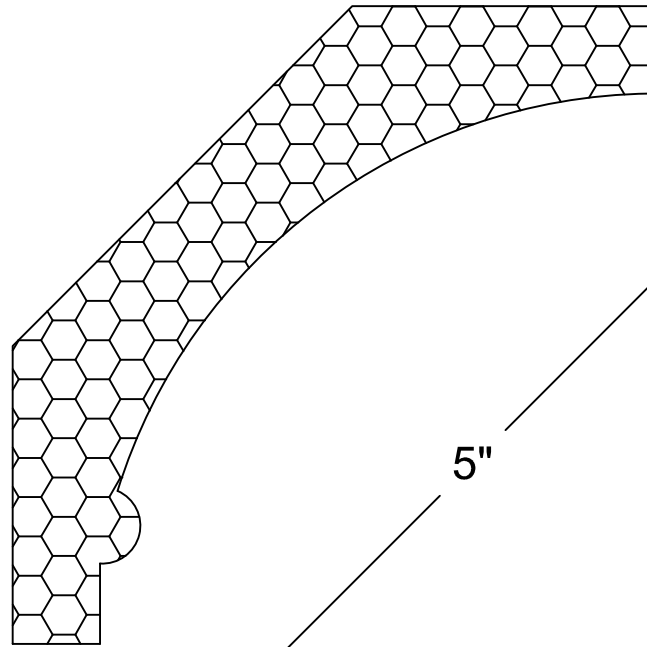
$10\frac{3}{8}$ "

**M1010-10"**  
**(CI-1007)**



$3\frac{1}{2}$ "

$3\frac{1}{2}$ "



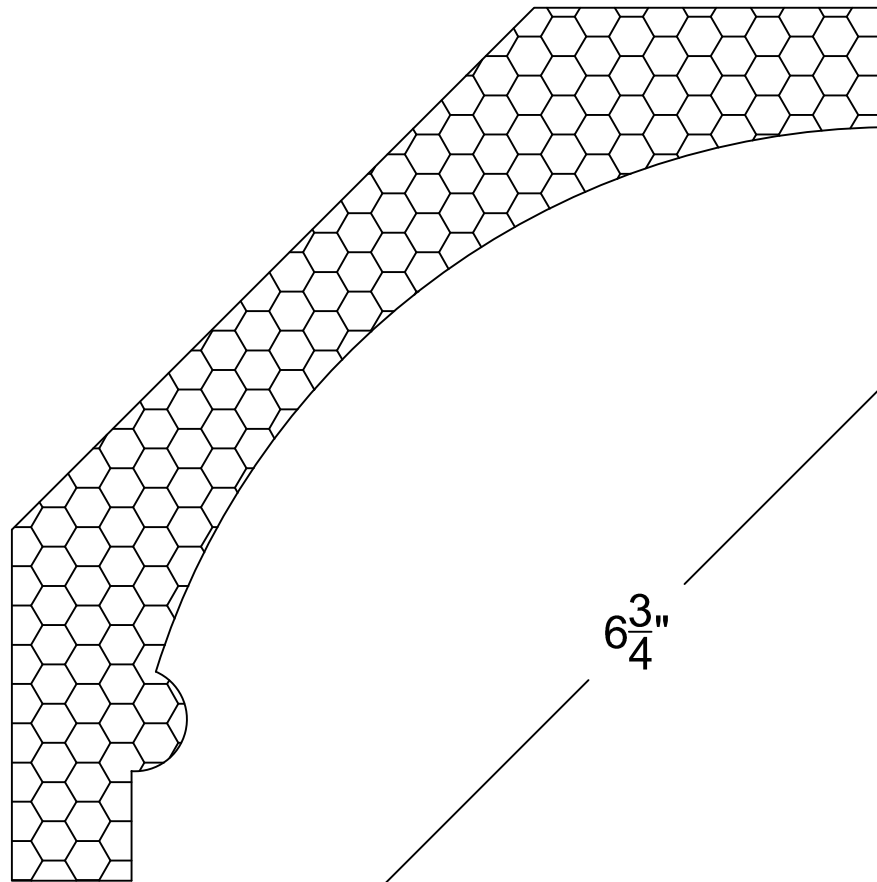
5"

**M5001-5"**



$4\frac{7}{8}"$

$4\frac{7}{8}"$



$6\frac{3}{4}"$

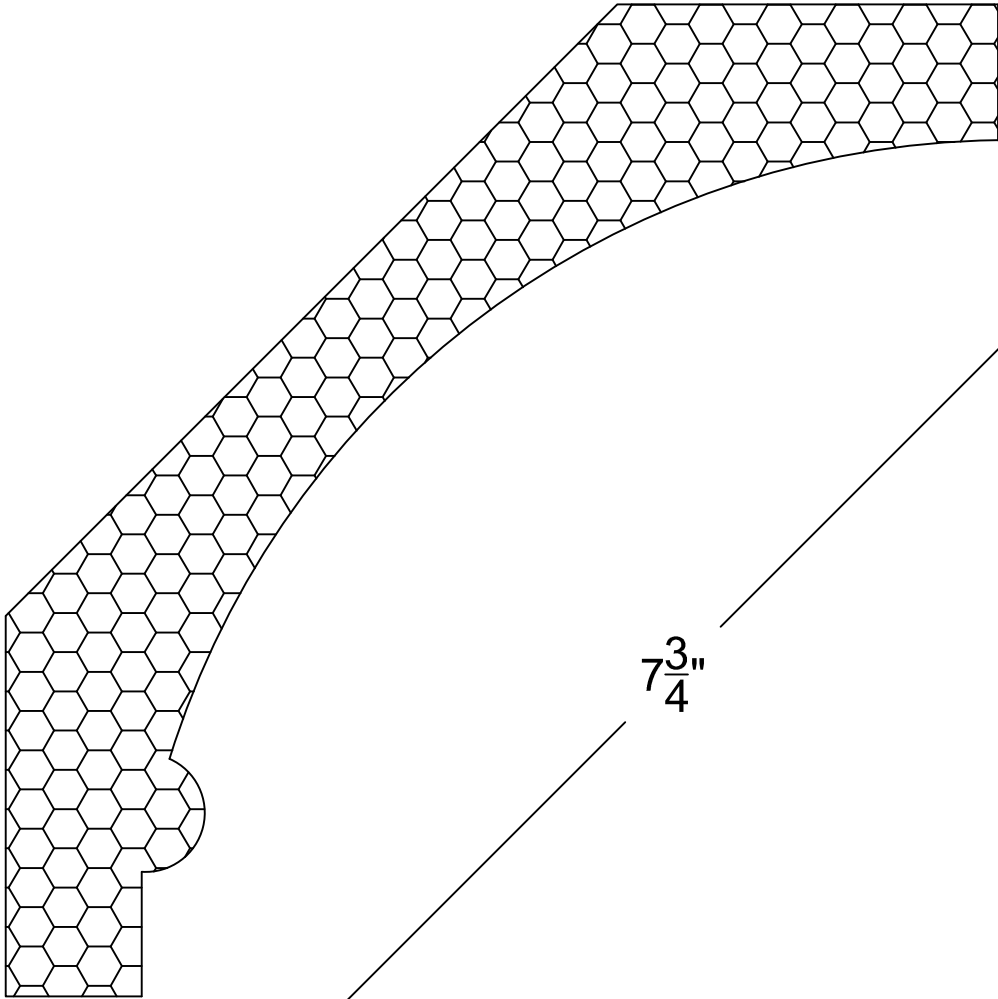
**M7001-7"**

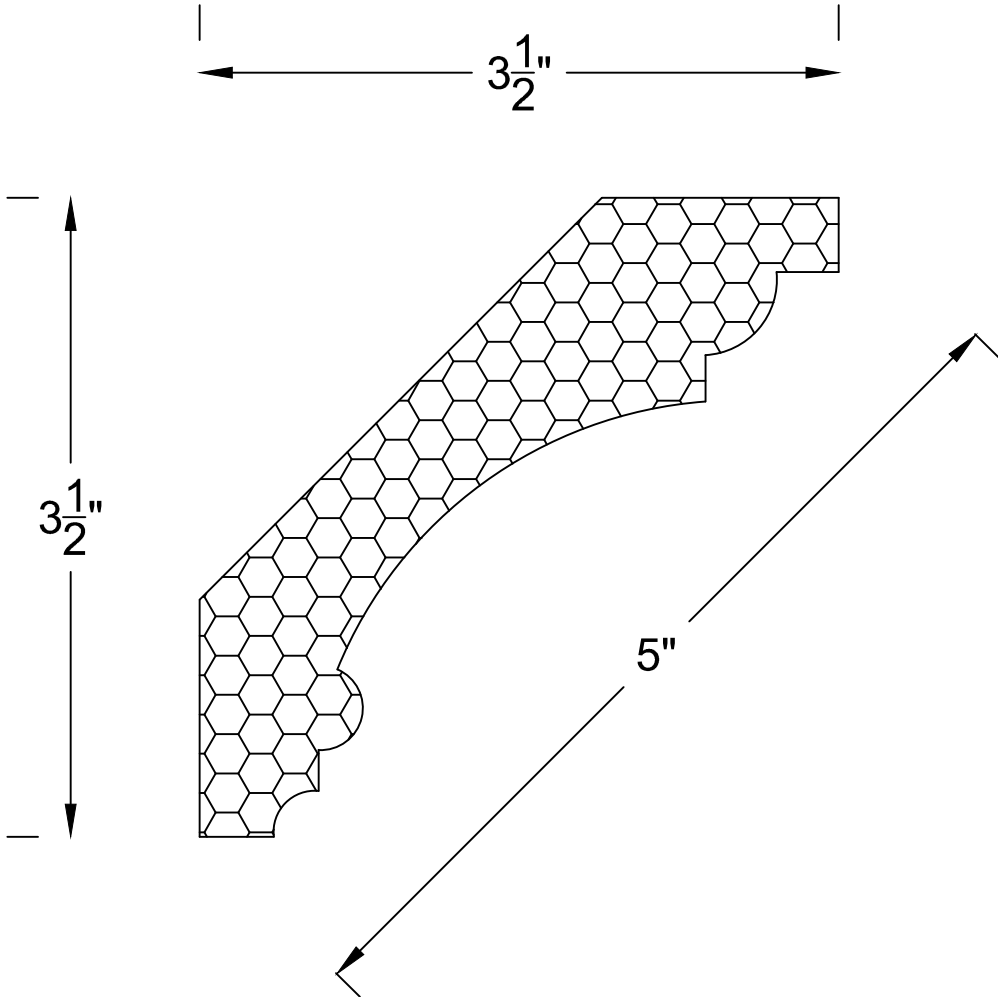
$5\frac{1}{2}"$

$5\frac{1}{2}"$

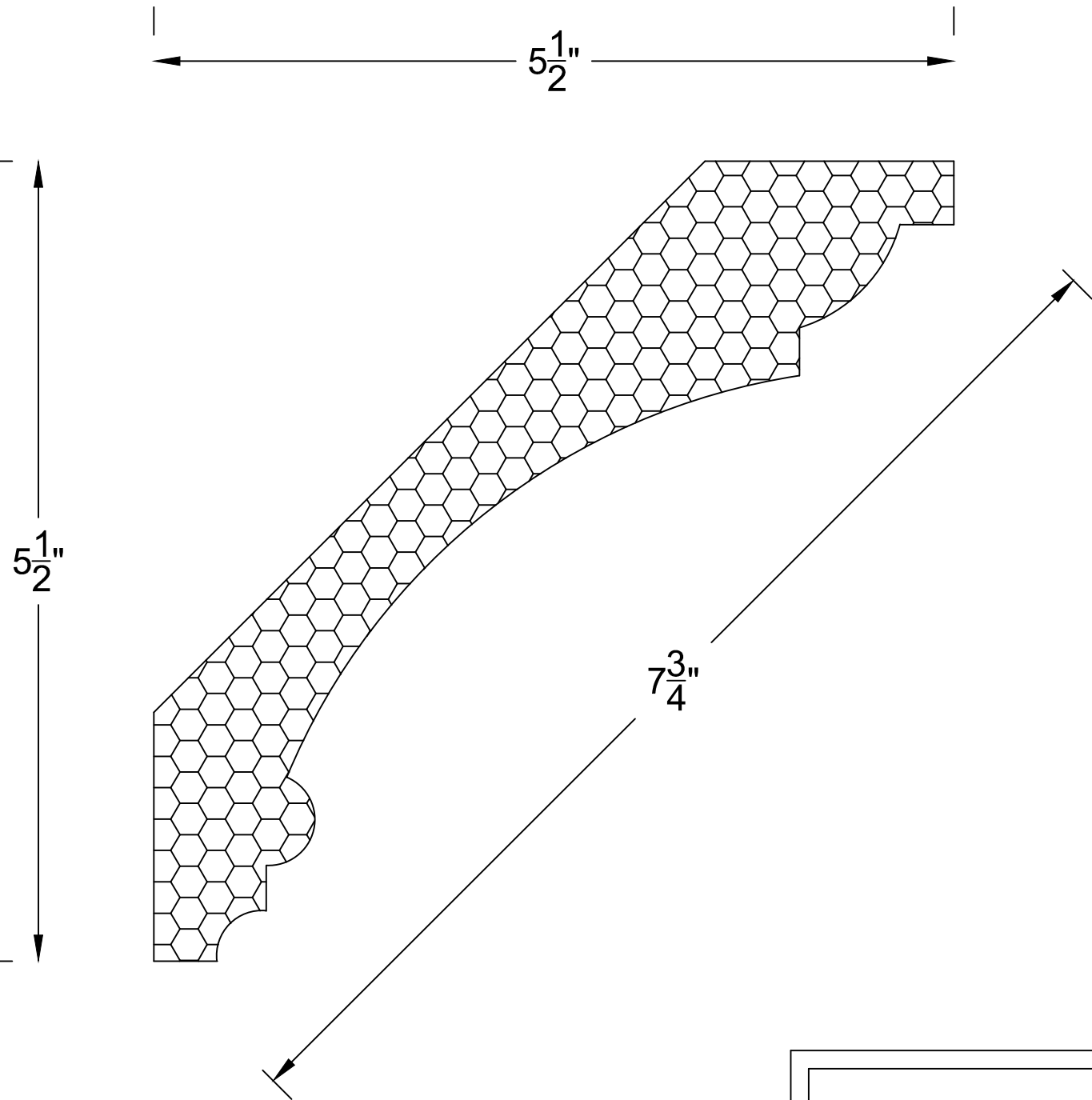
$7\frac{3}{4}"$

**M8001-8"**





**M5002-5"**



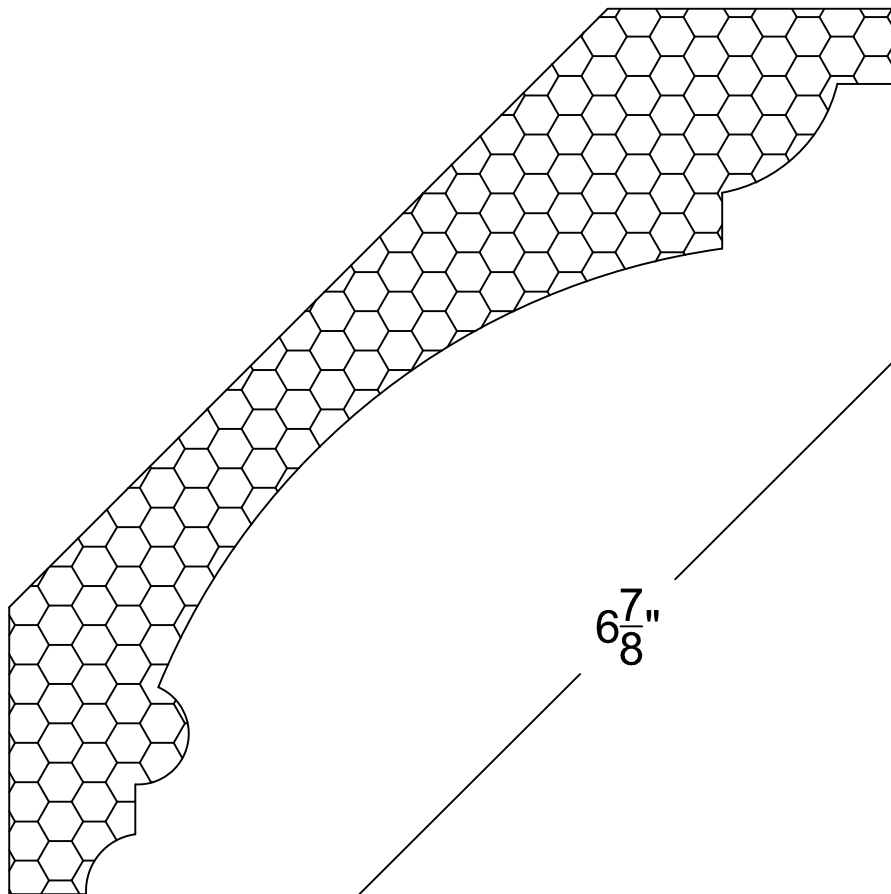
**M8002-8"**

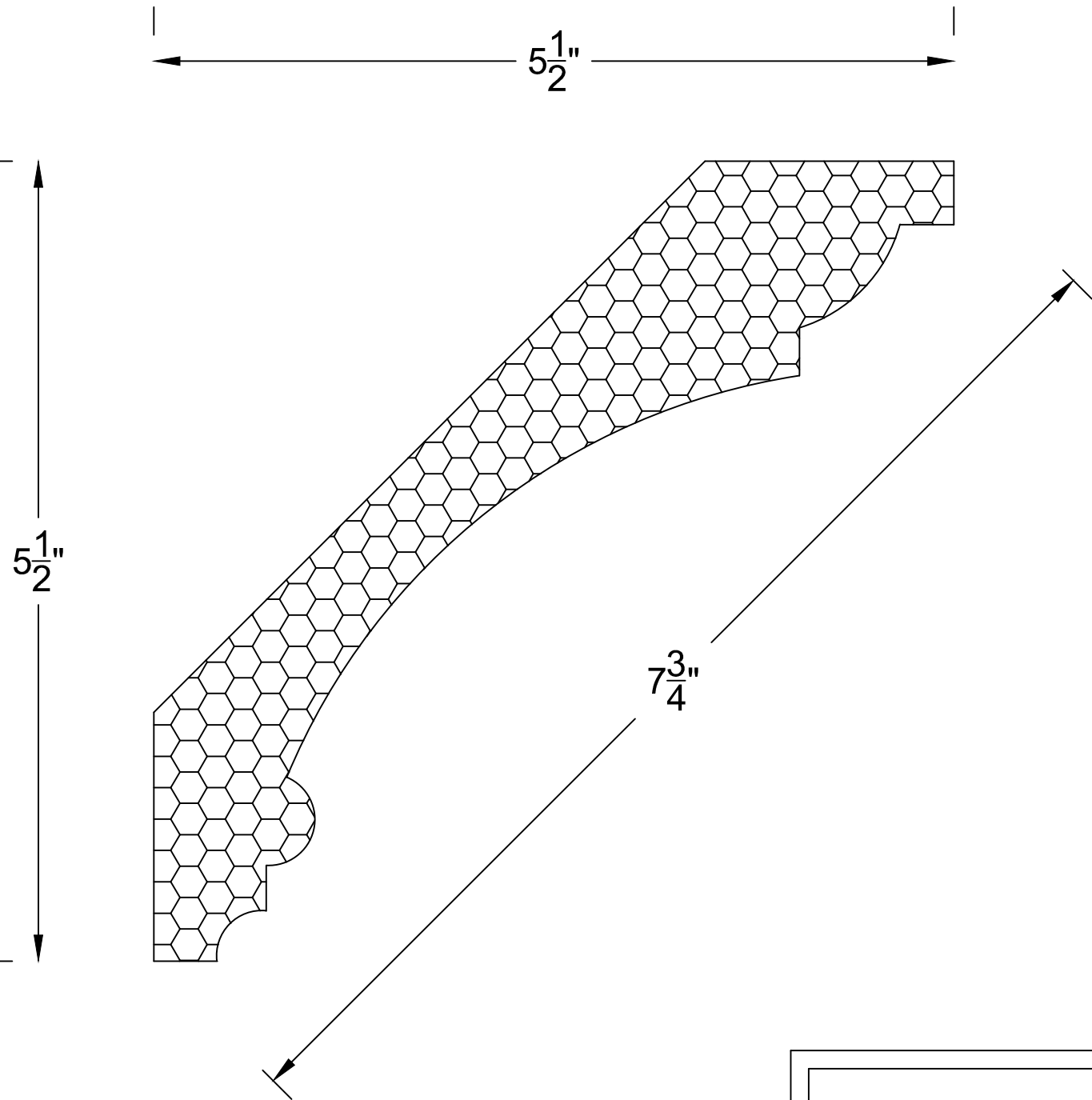
$4\frac{7}{8}"$

$4\frac{7}{8}"$

$6\frac{7}{8}"$

**M7002-7"**

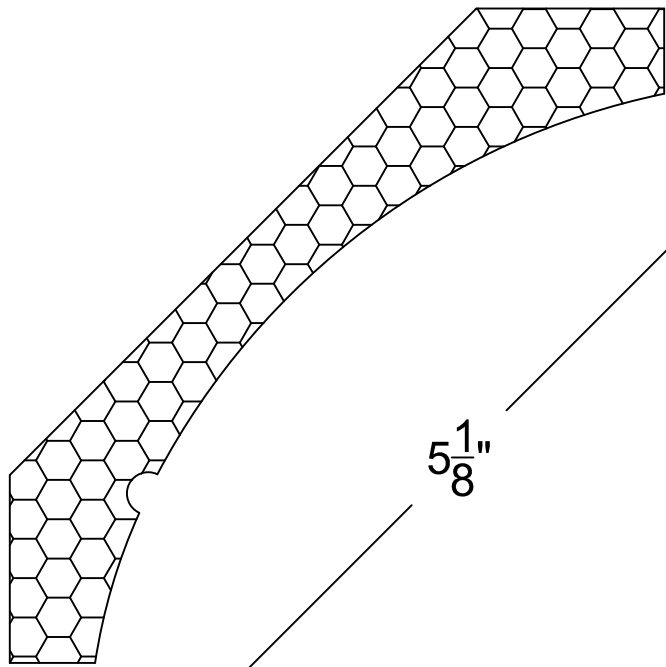




**M8002-8"**

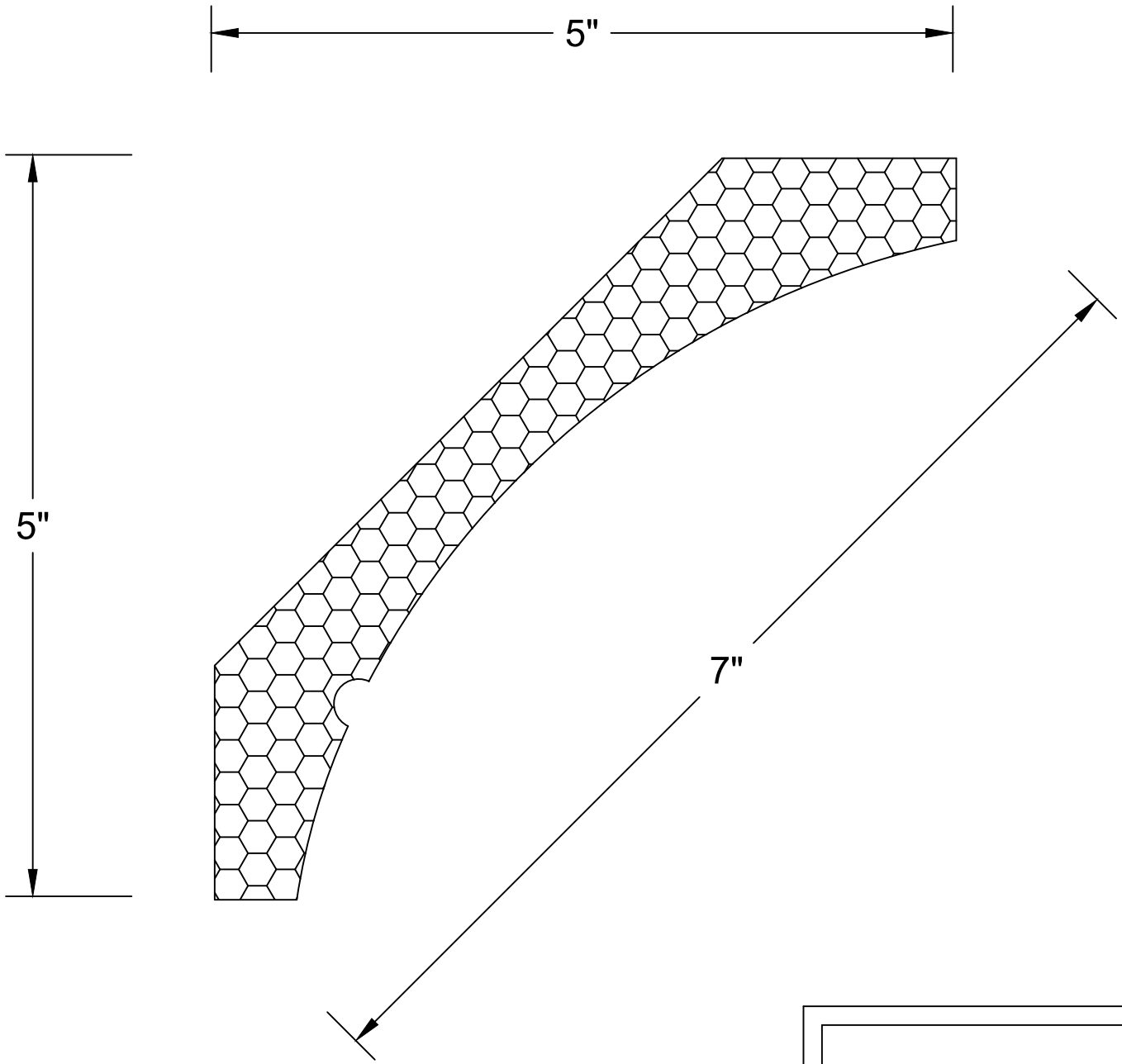
$3\frac{5}{8}"$

$3\frac{5}{8}"$



$5\frac{1}{8}"$

**M5004-5"**

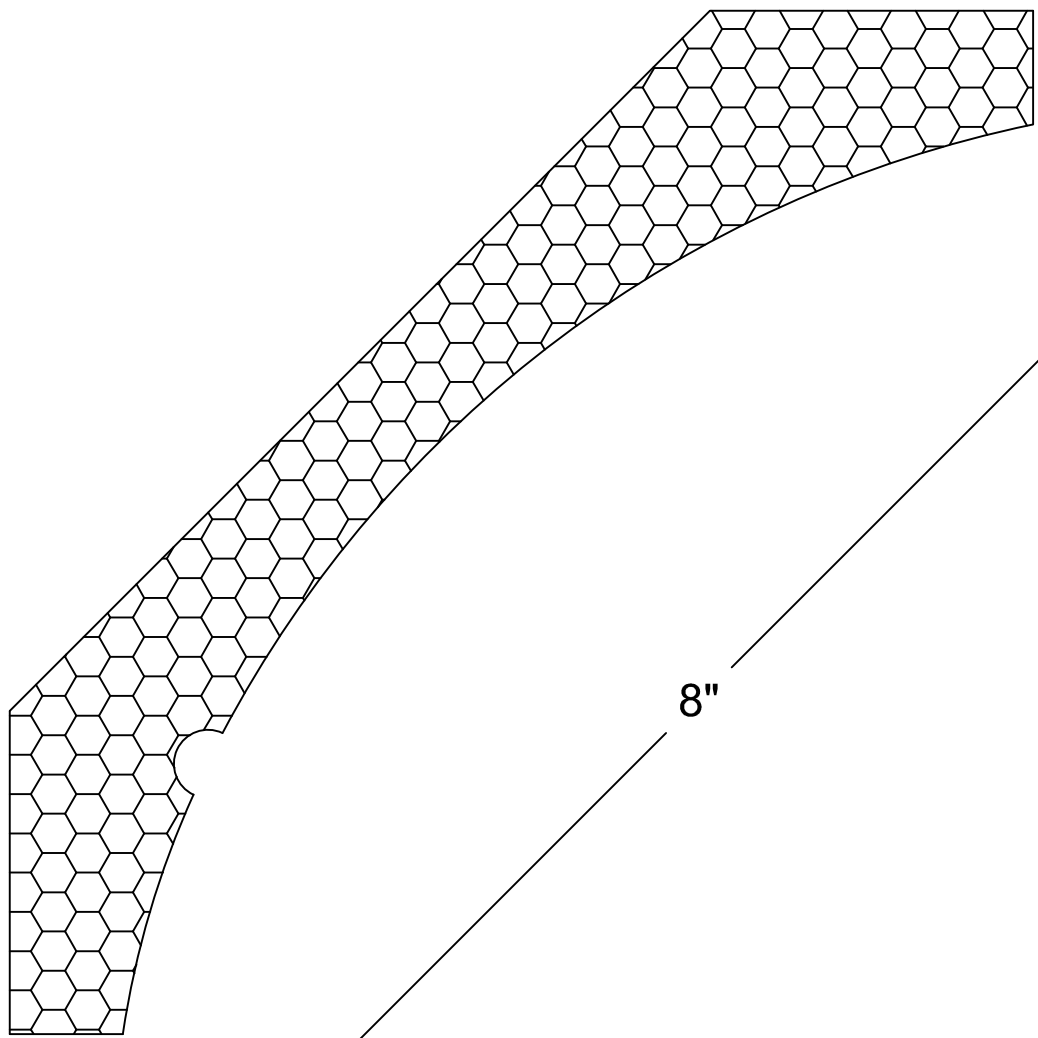


**M7004-7"**



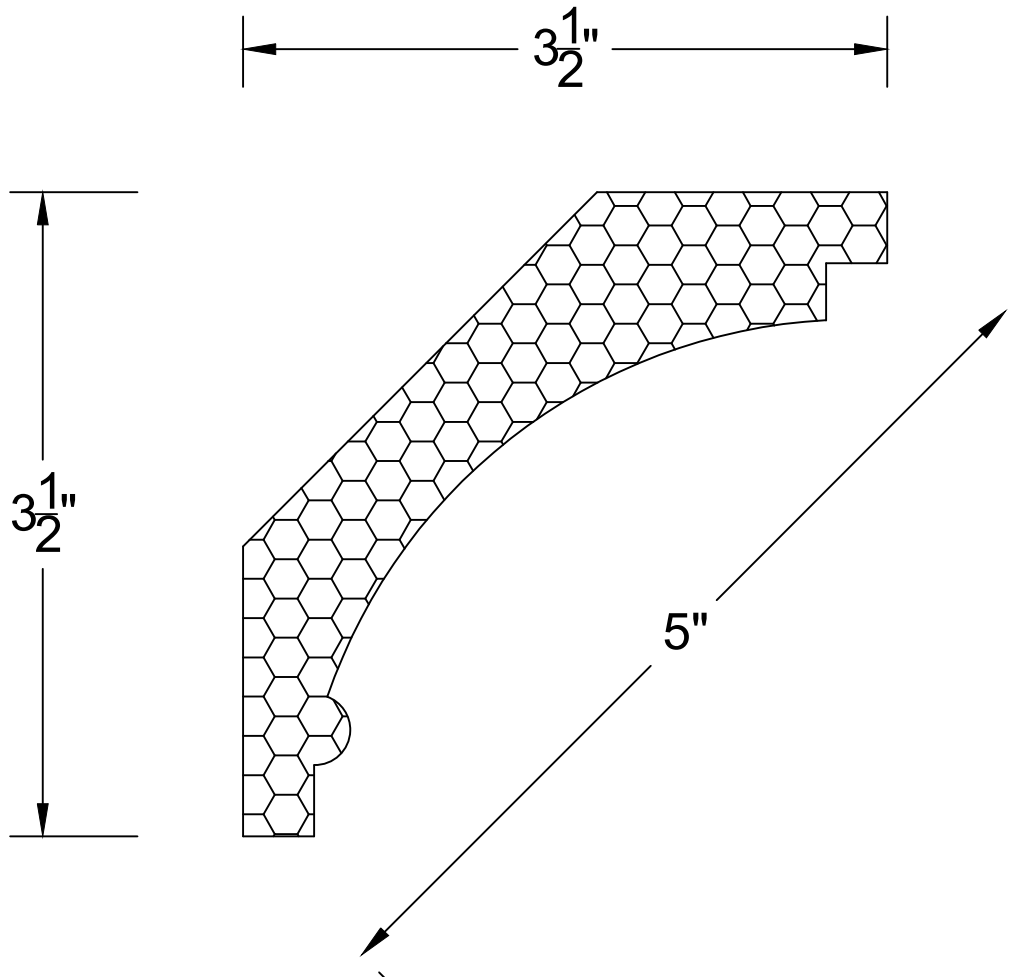
$5\frac{5}{8}"$

$5\frac{5}{8}"$



$8"$

**M8004-8"**



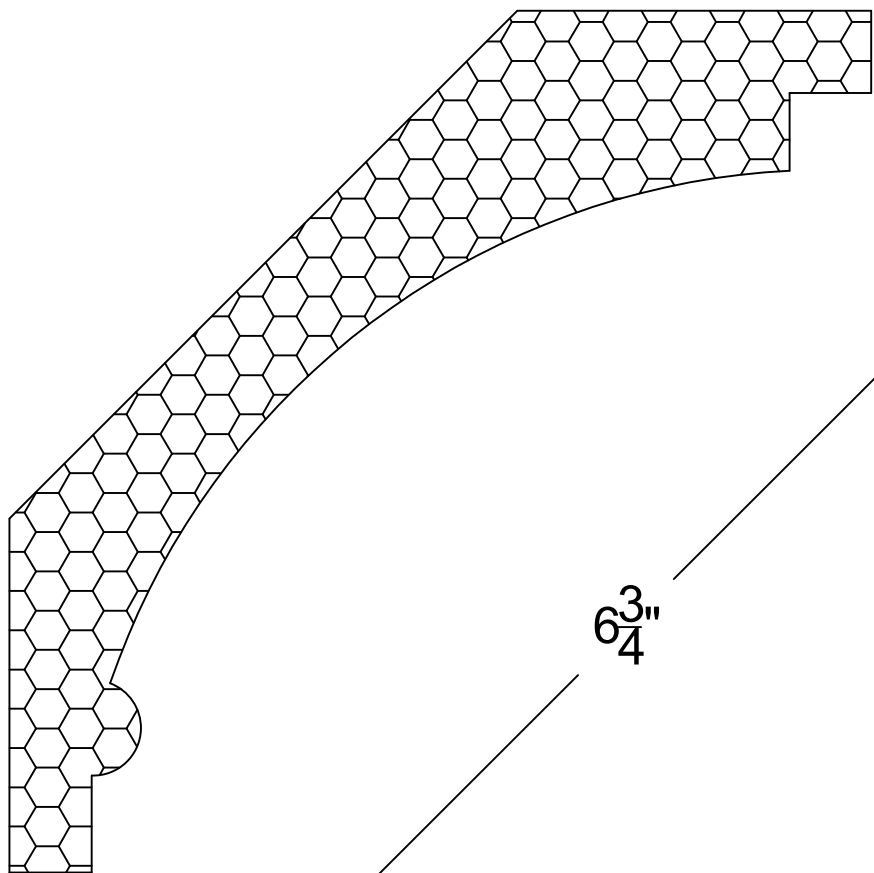
**M5005-5"**

$4\frac{3}{4}$ "

$4\frac{3}{4}$ "

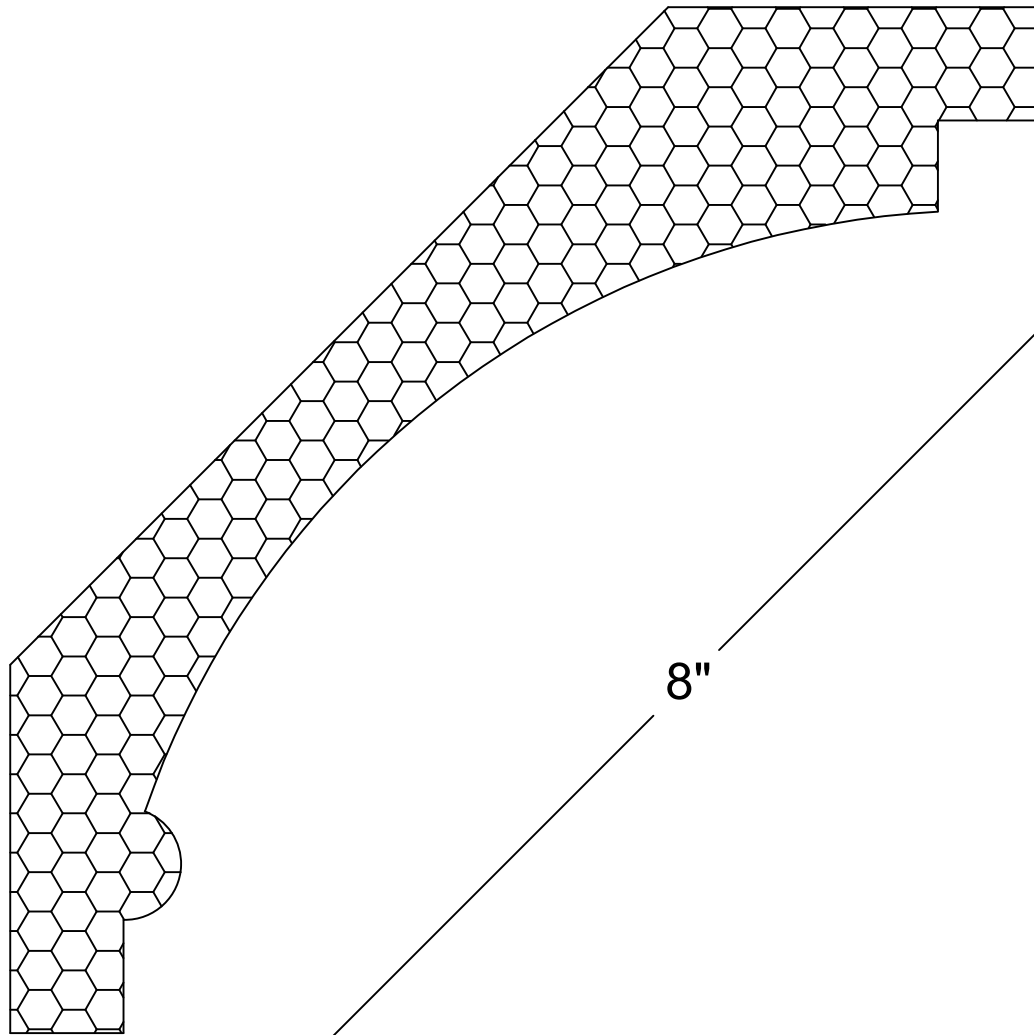
$6\frac{3}{4}$ "

**M7005-7"**



55"  
8"

55"  
8"



8"

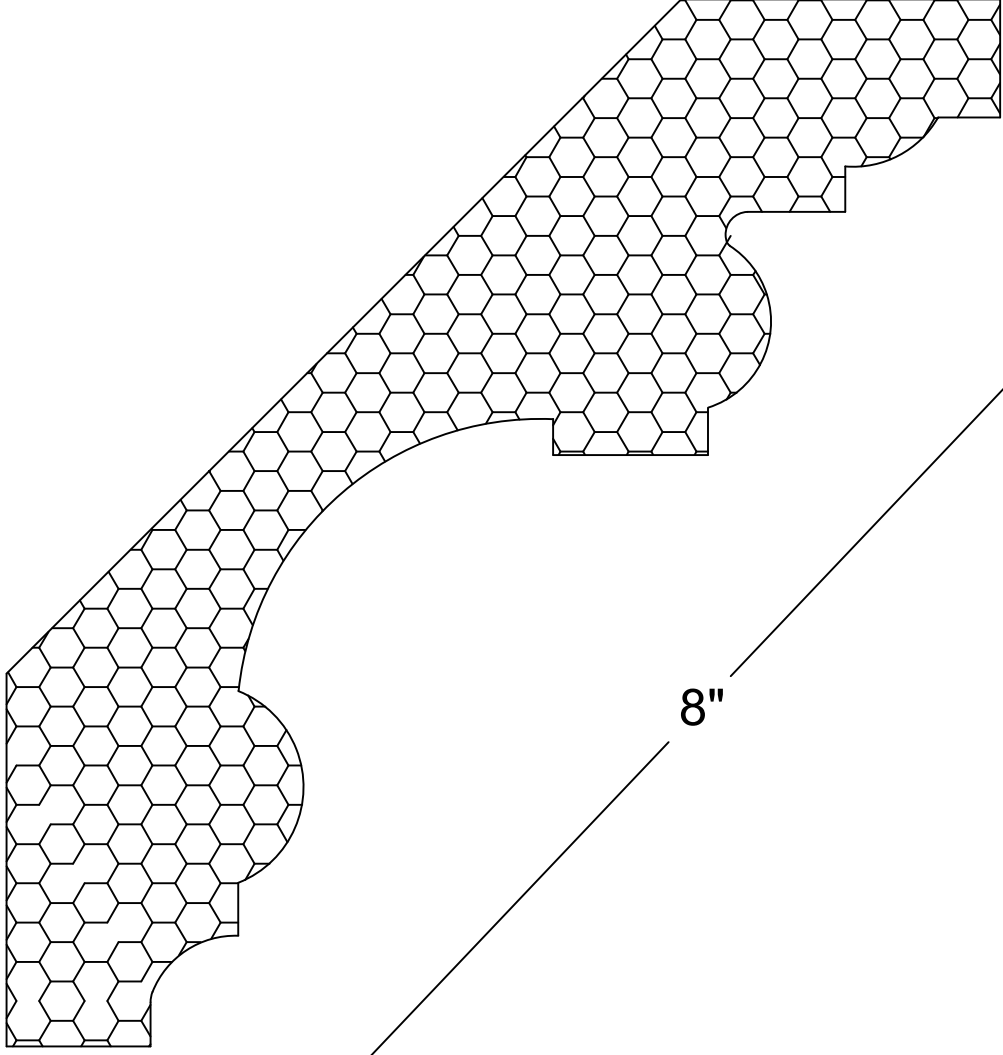
**M8005-8"**

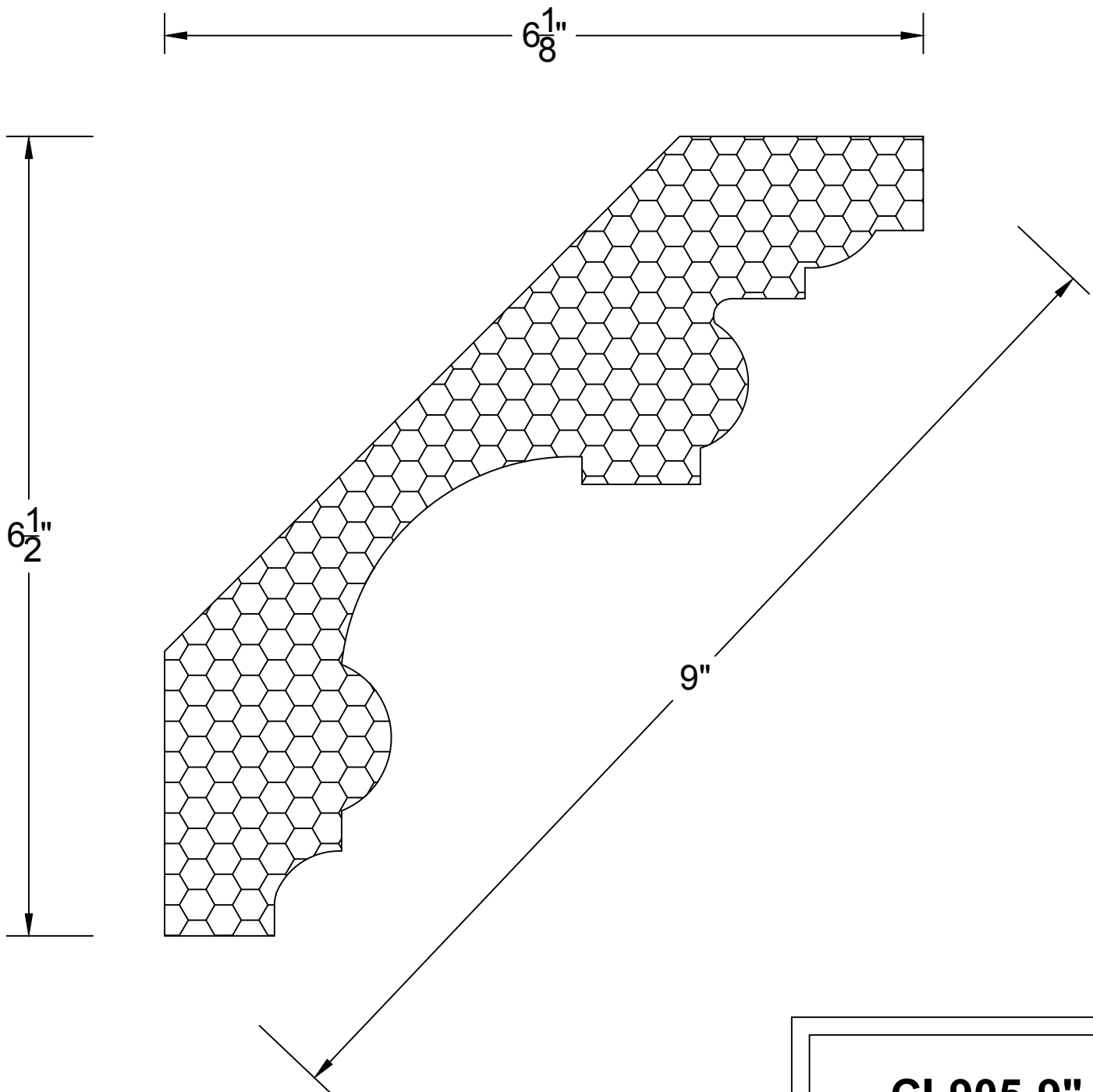
5 1/2"

5 3/4"

8"

**CI-905-8"**

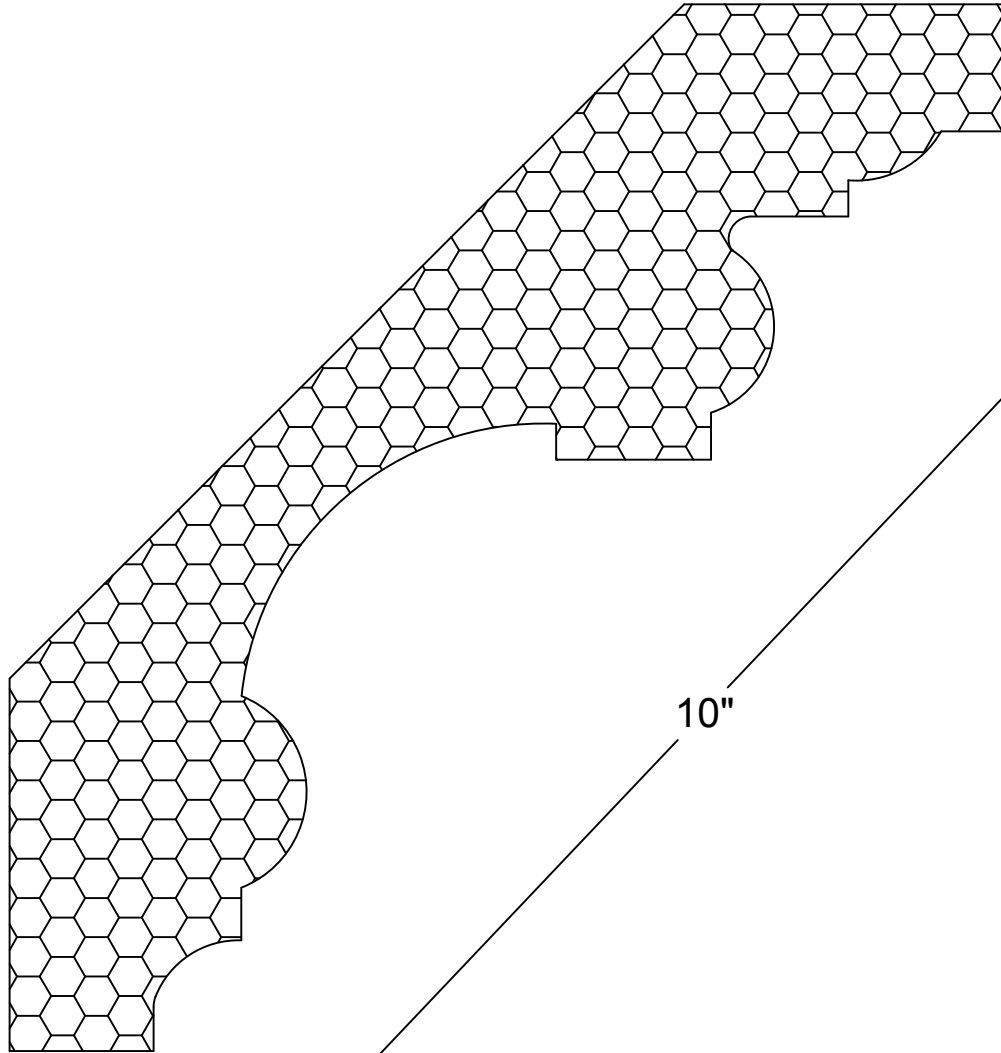




**CI-905-9"**

6 $\frac{7}{8}$ "

7 $\frac{1}{4}$ "

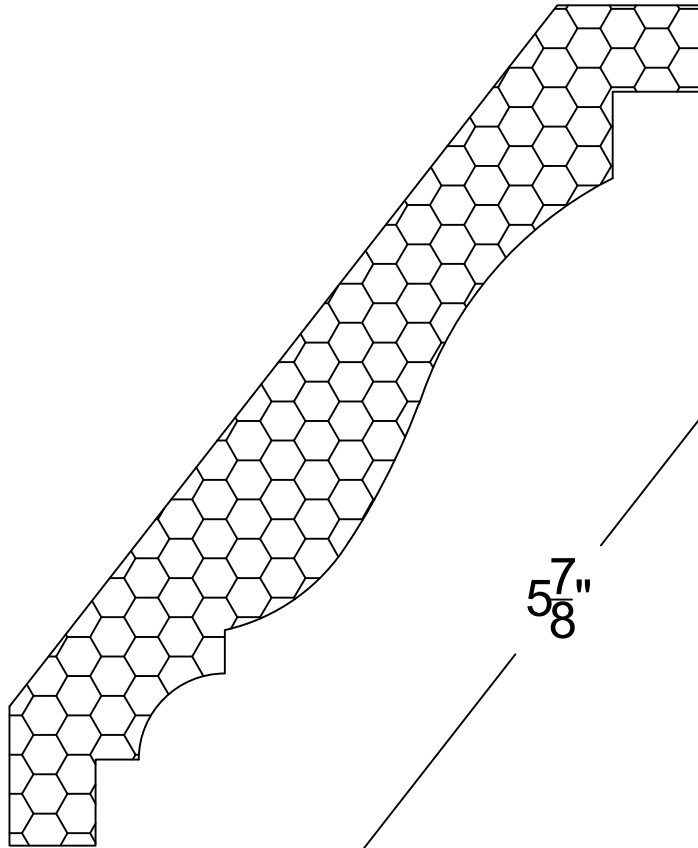


10"

**CI-905-10"**

$3\frac{3}{4}$ "

$4\frac{5}{8}$ "



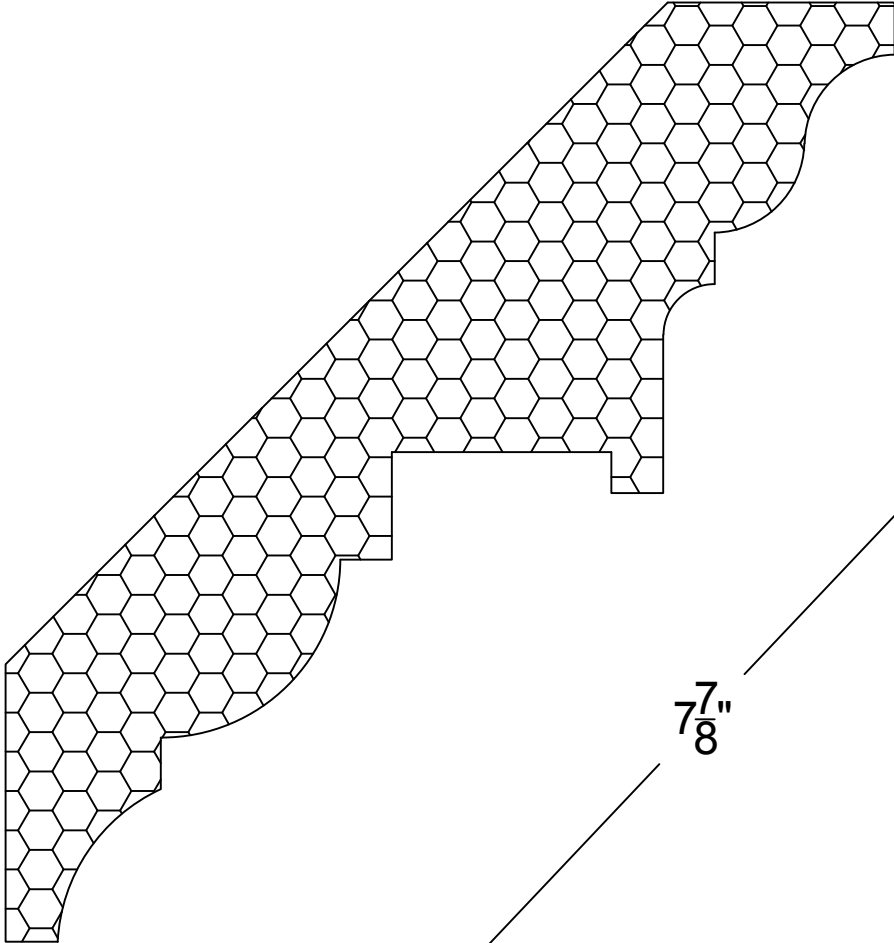
$5\frac{7}{8}$ "

**CI-601-6"**



5 $\frac{1}{2}$ "

5 $\frac{3}{4}$ "



7 $\frac{7}{8}$ "

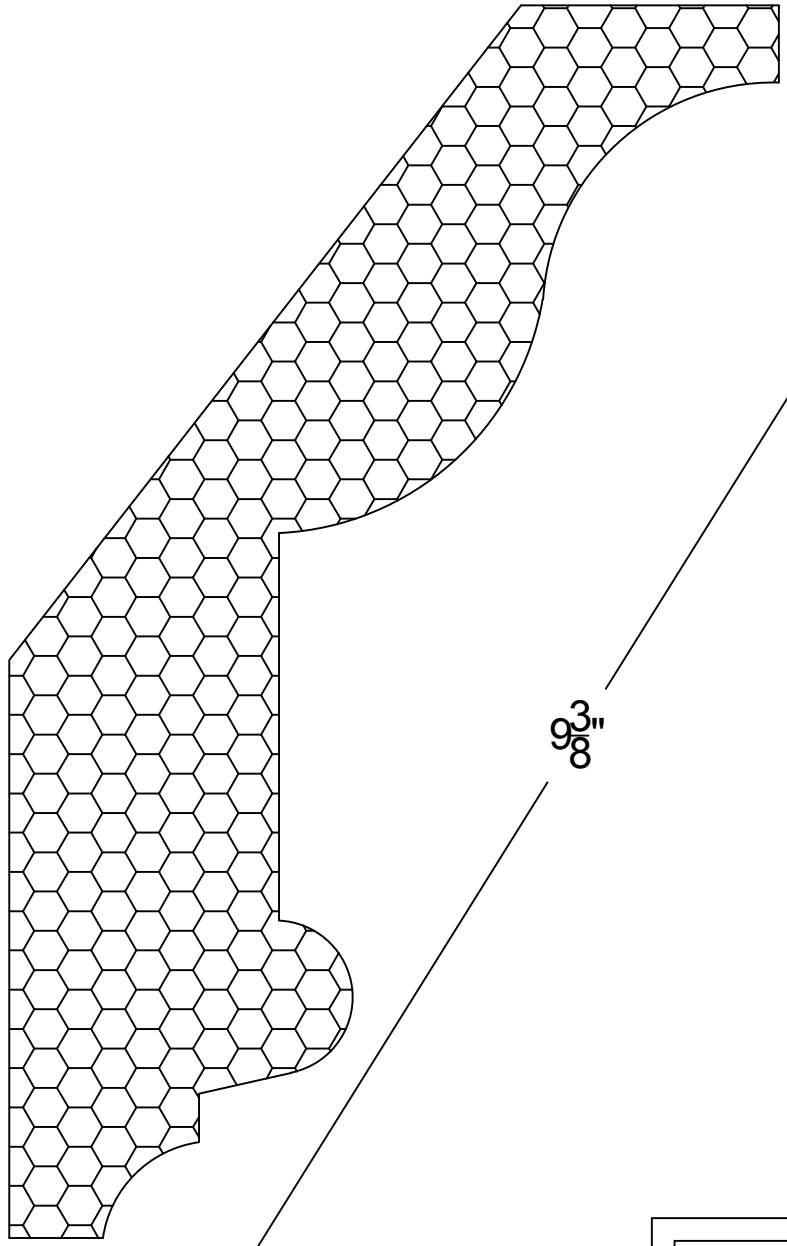
**CI-805-8"**

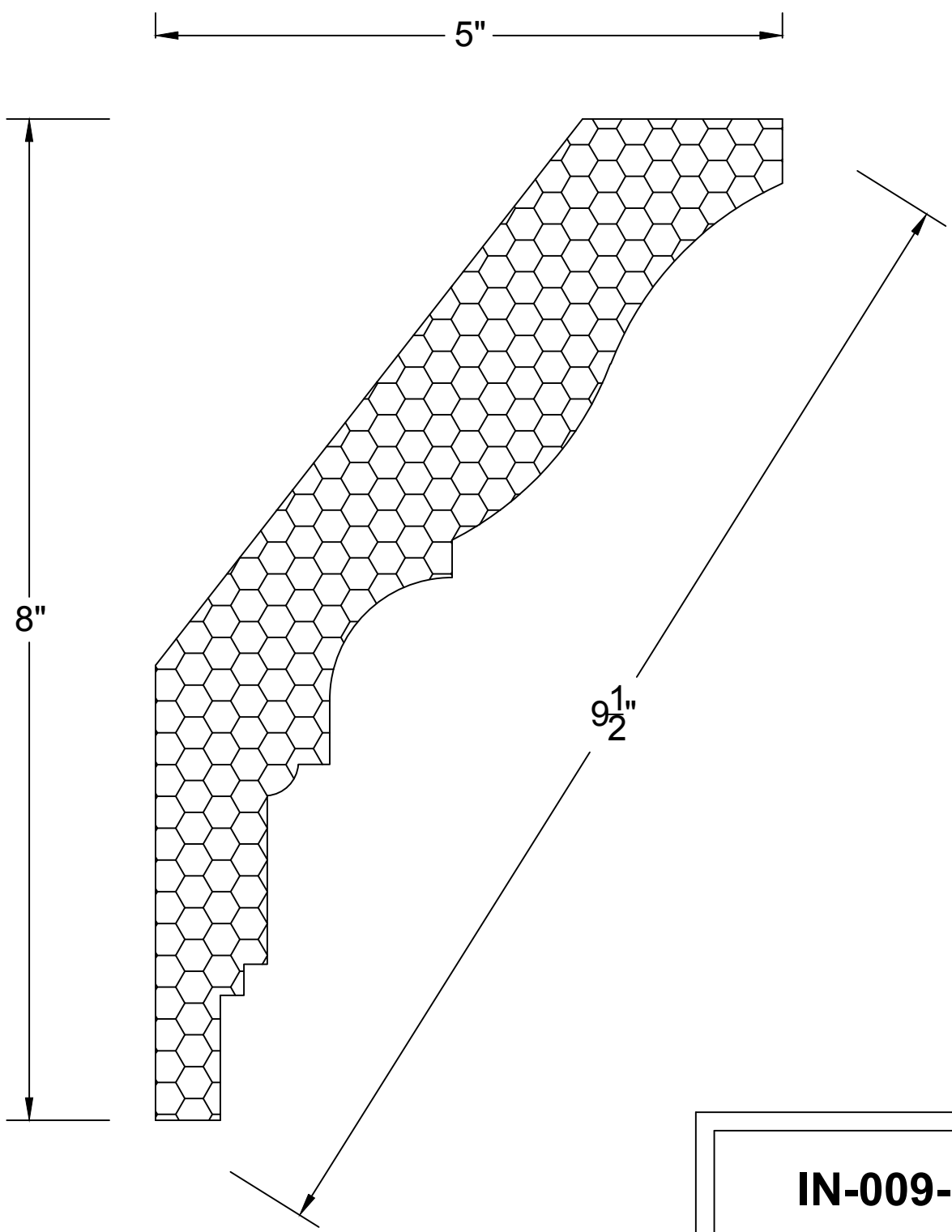
5"

8"

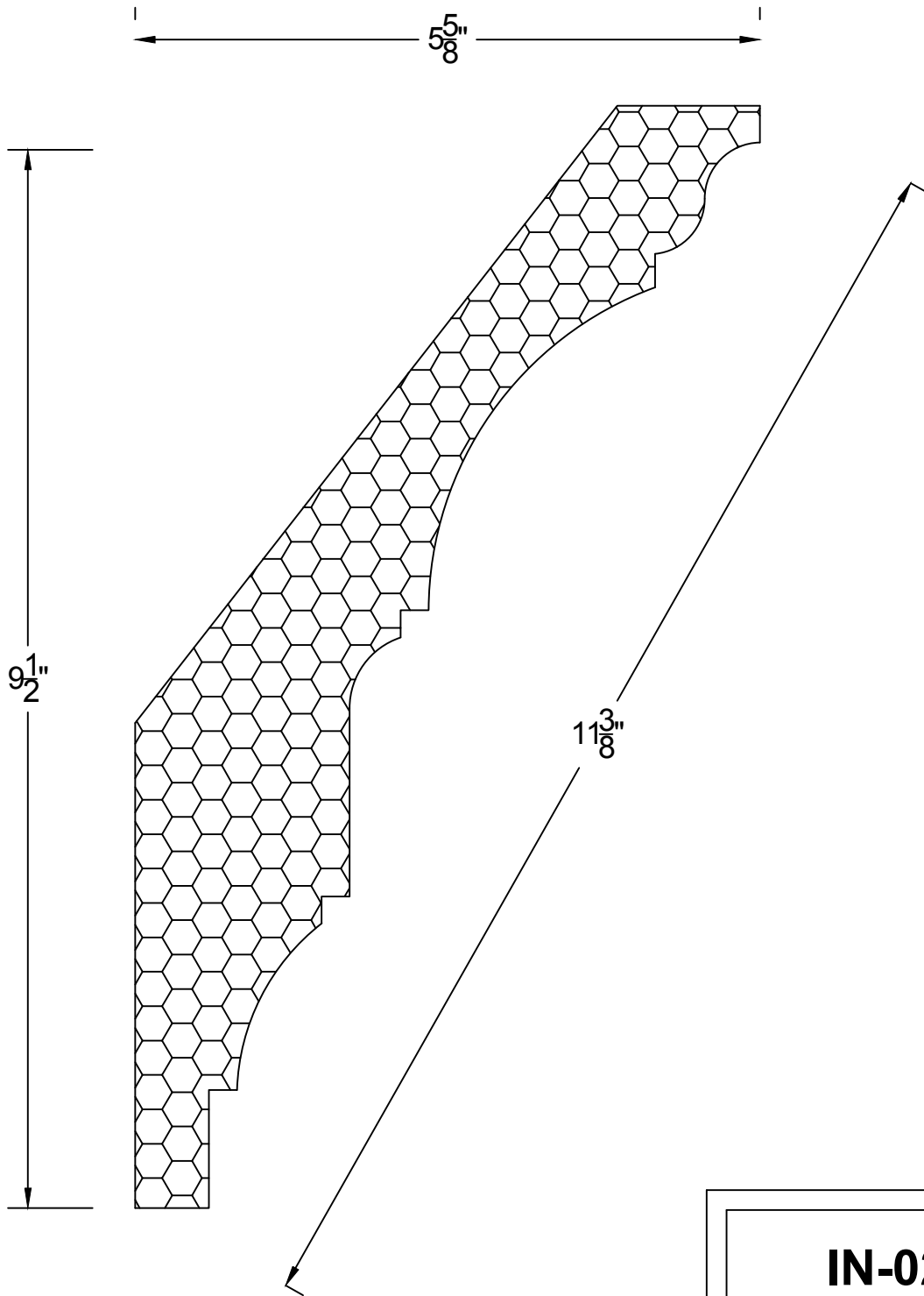
9.3"

**IN-017-10"**





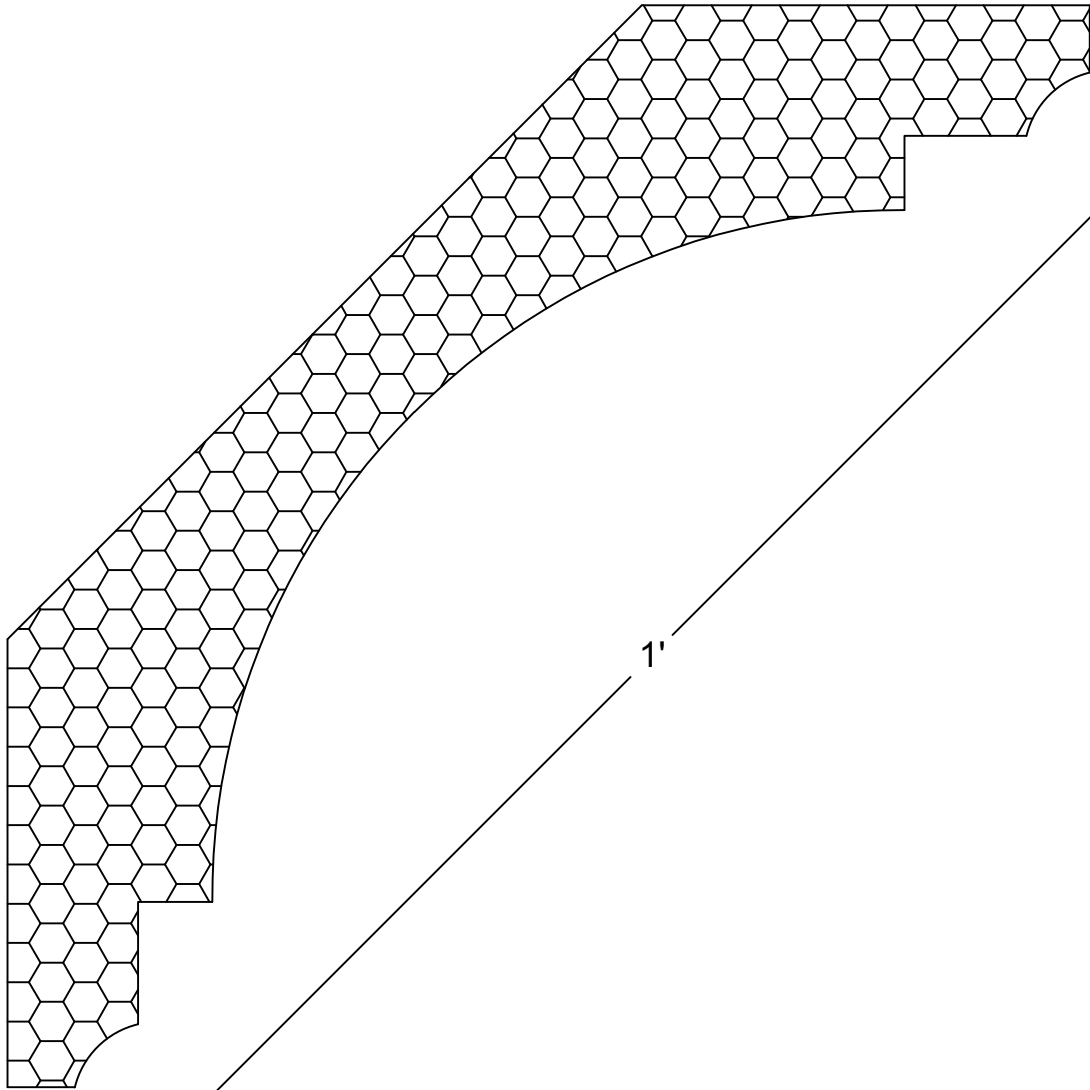
**IN-009-10"**



**IN-028-12"**

8 1/2"

8 1/2"

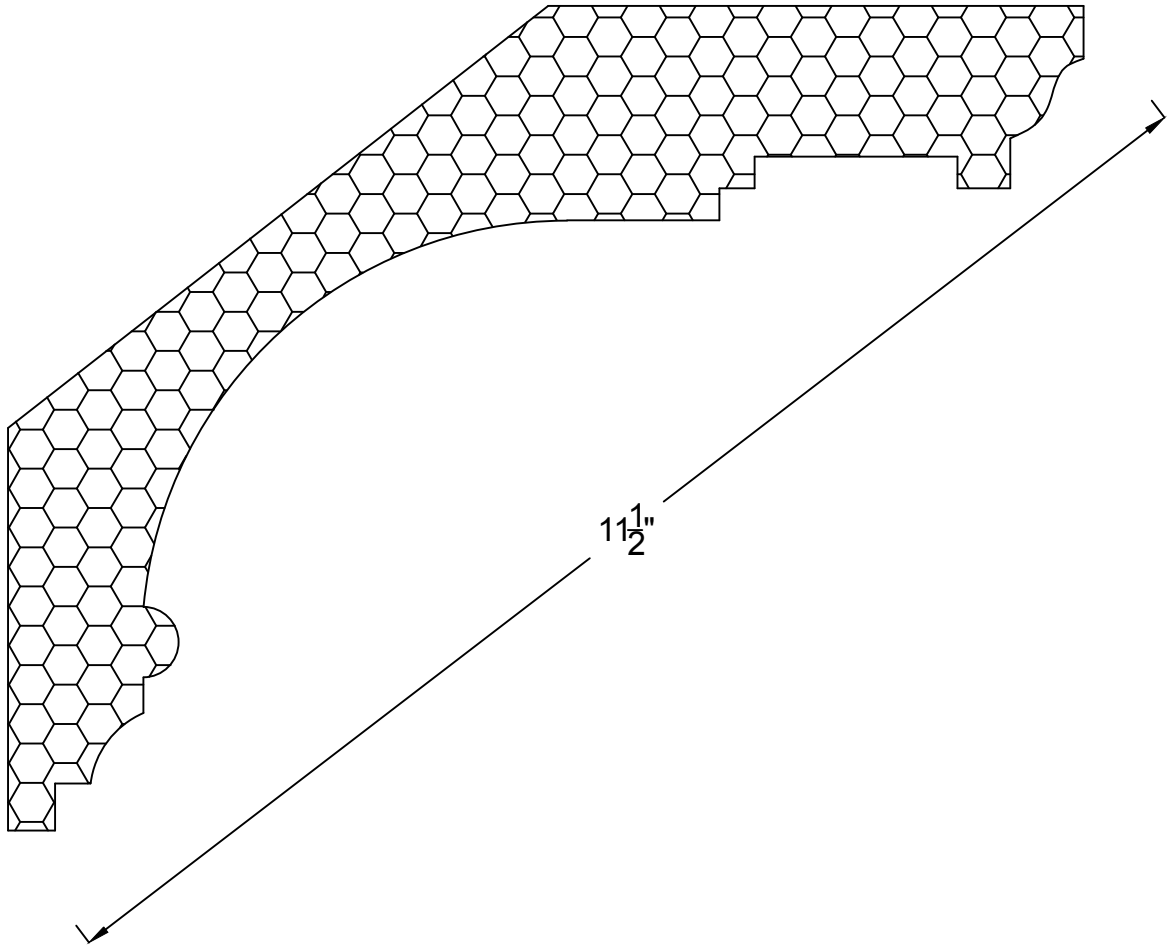


1'

**CI-1203-12"**

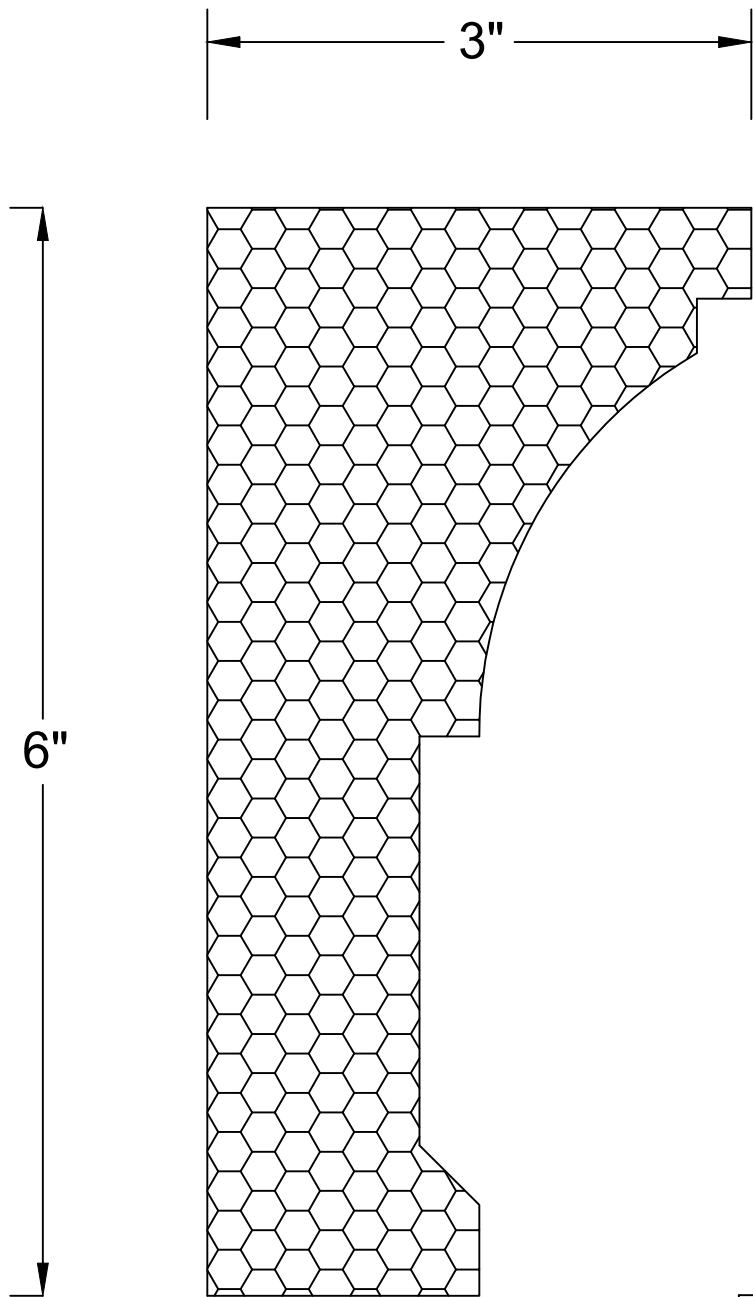
9 $\frac{1}{8}$ "

7"

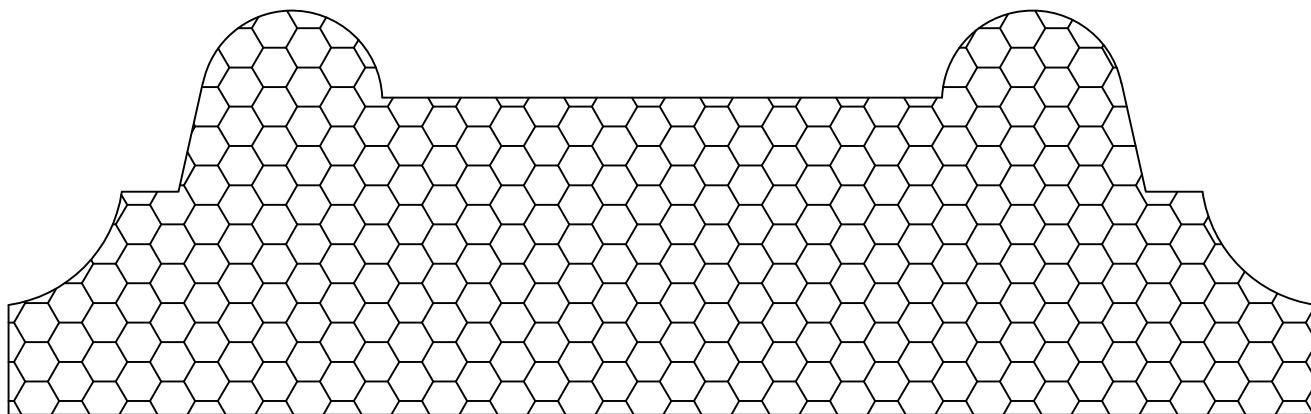


11 $\frac{1}{2}$ "

**CAN-D01-11.5"**



**IN-035-6"**



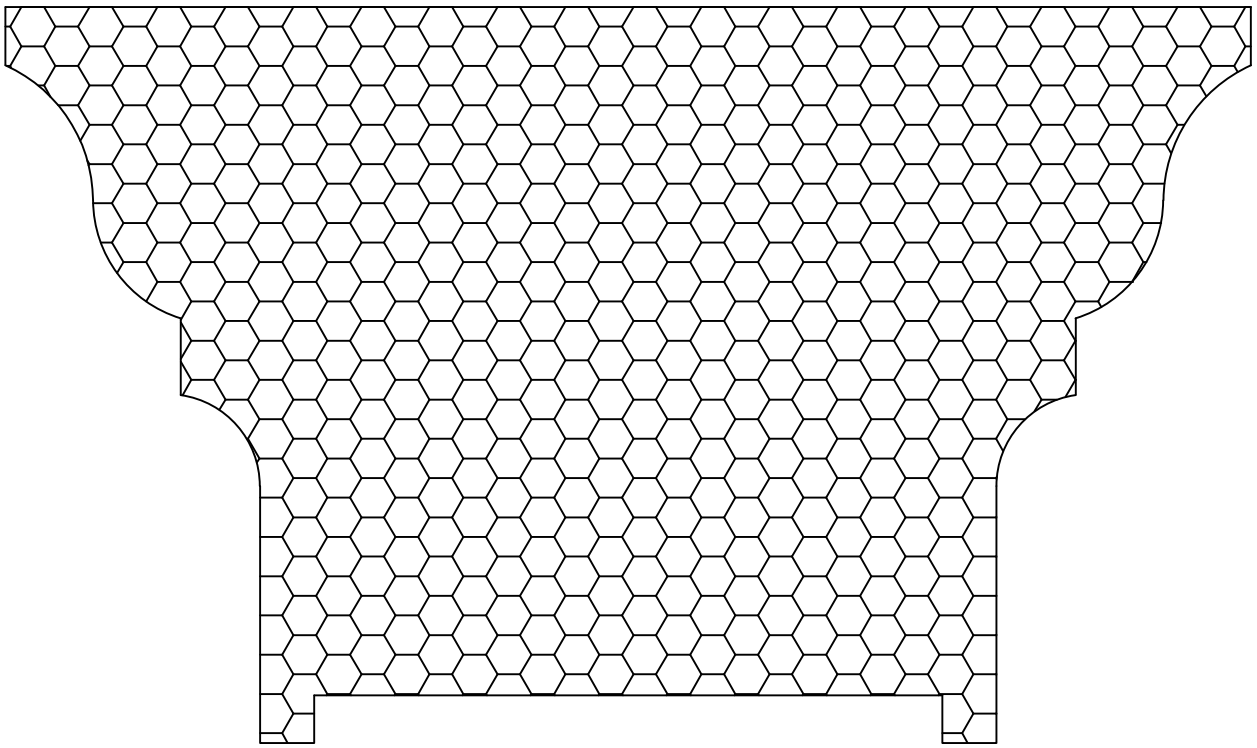
2 1/4"

7 1/4"

**IN-016**



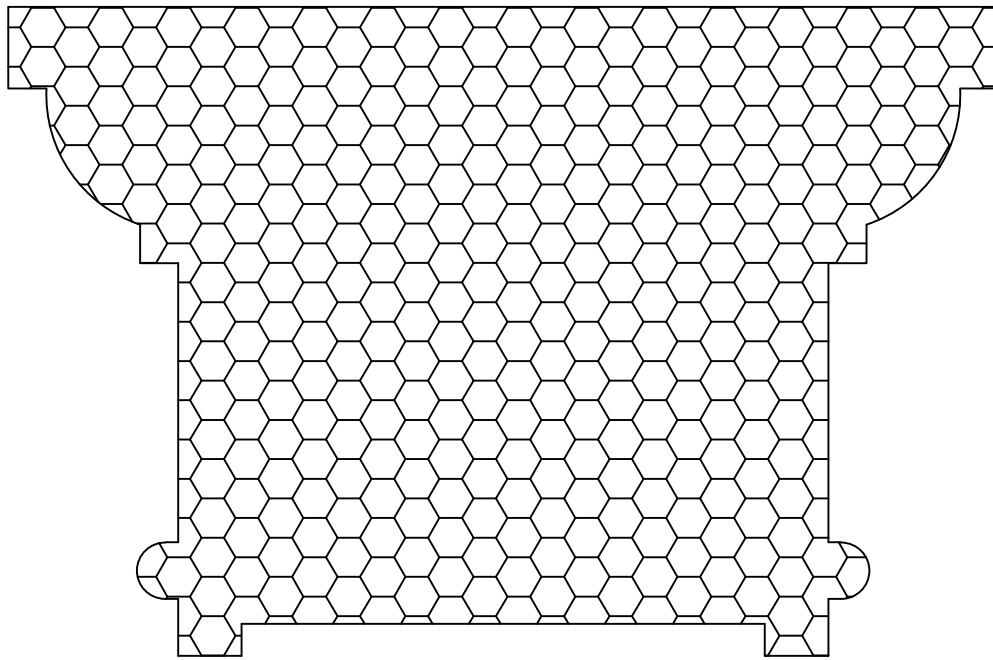
9 $\frac{7}{8}$ "



5 $\frac{3}{4}$ "

**IB-02**

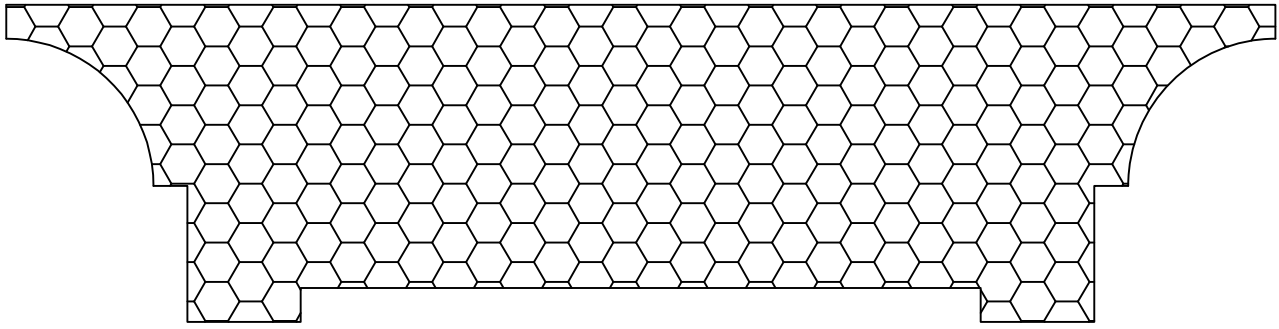
7 $\frac{3}{4}$ "



5 $\frac{1}{8}$ "

**IB-07**

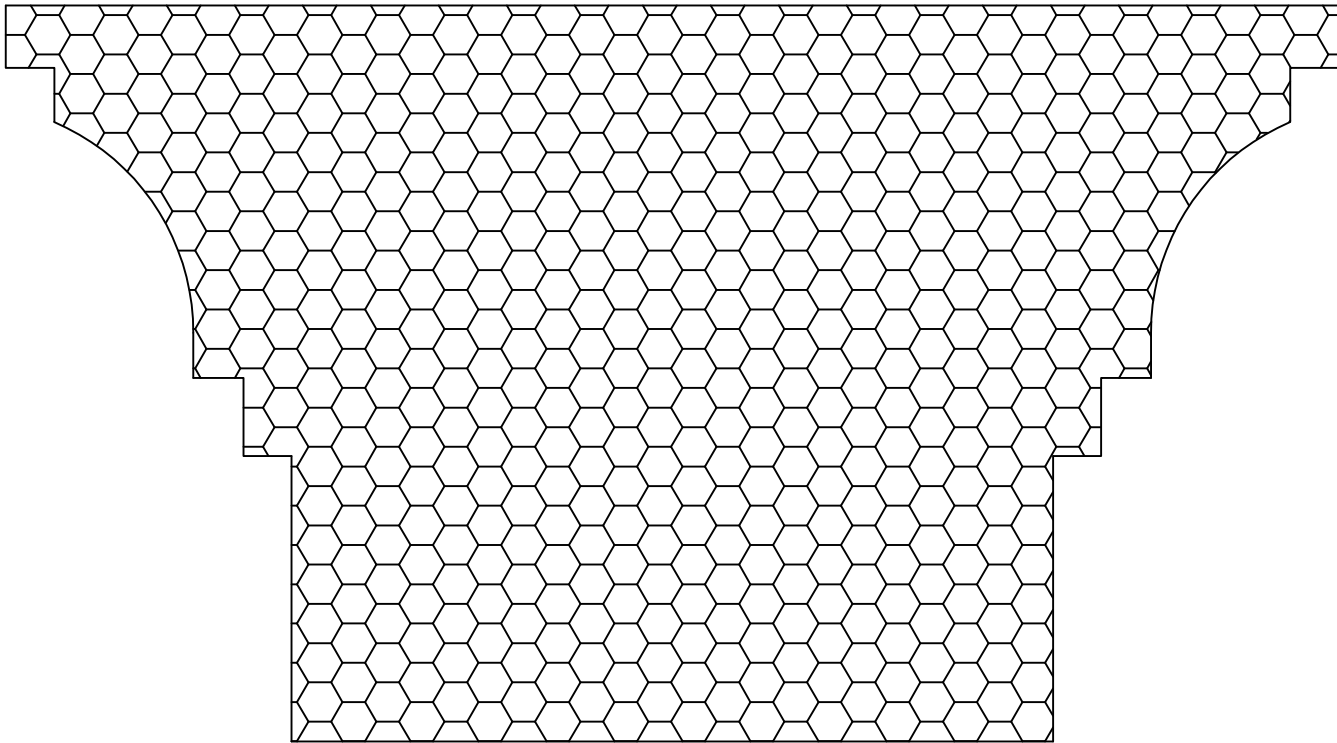
7"



1 3/4"

**IB-03**

10 $\frac{1}{2}$ "

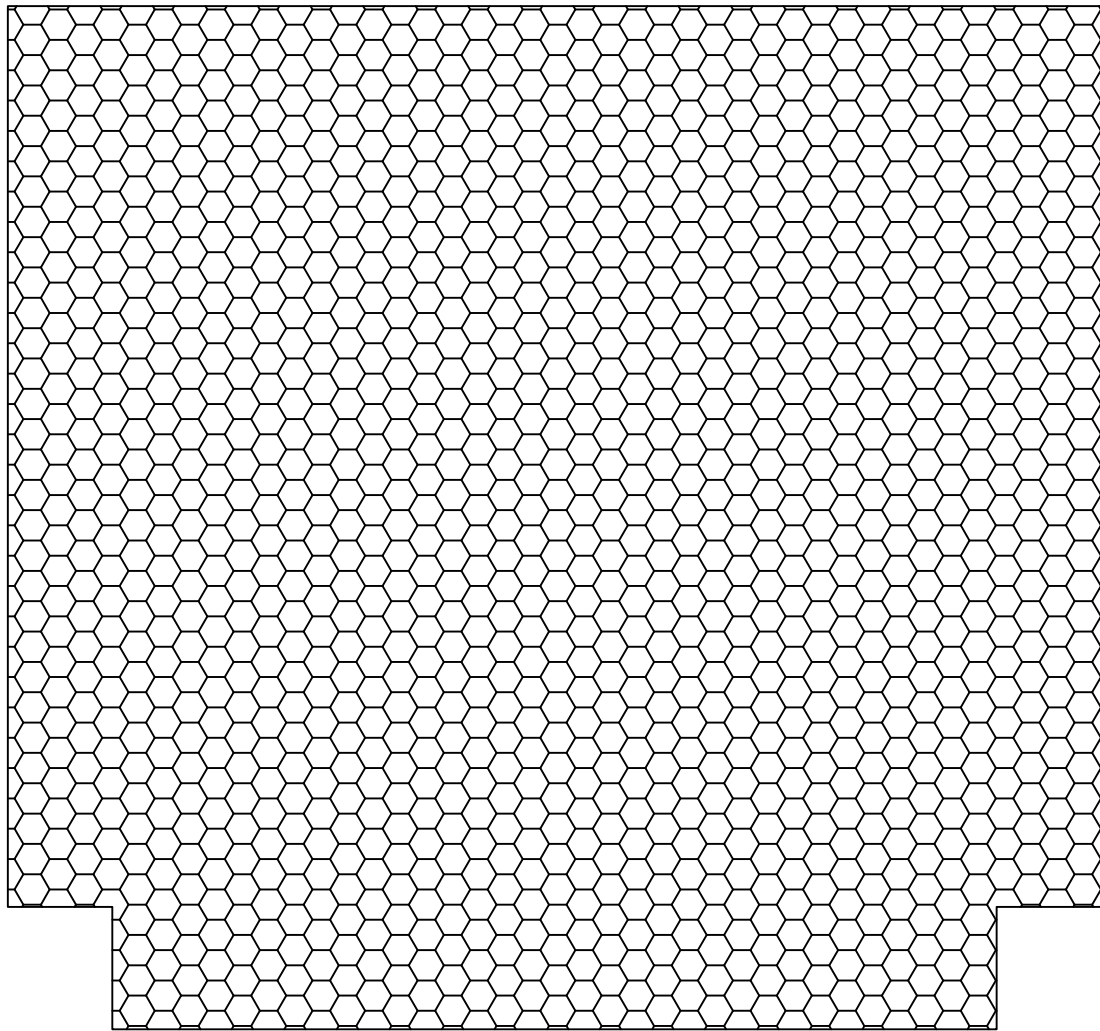


5 $\frac{3}{4}$ "

**IB-10**

$7\frac{3}{4}$ "

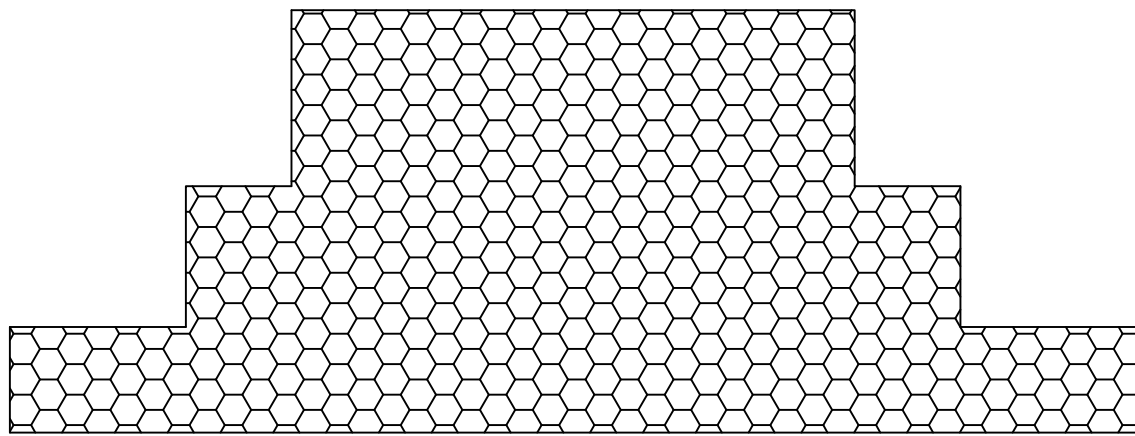
$7\frac{1}{4}$ "



**IB-12**

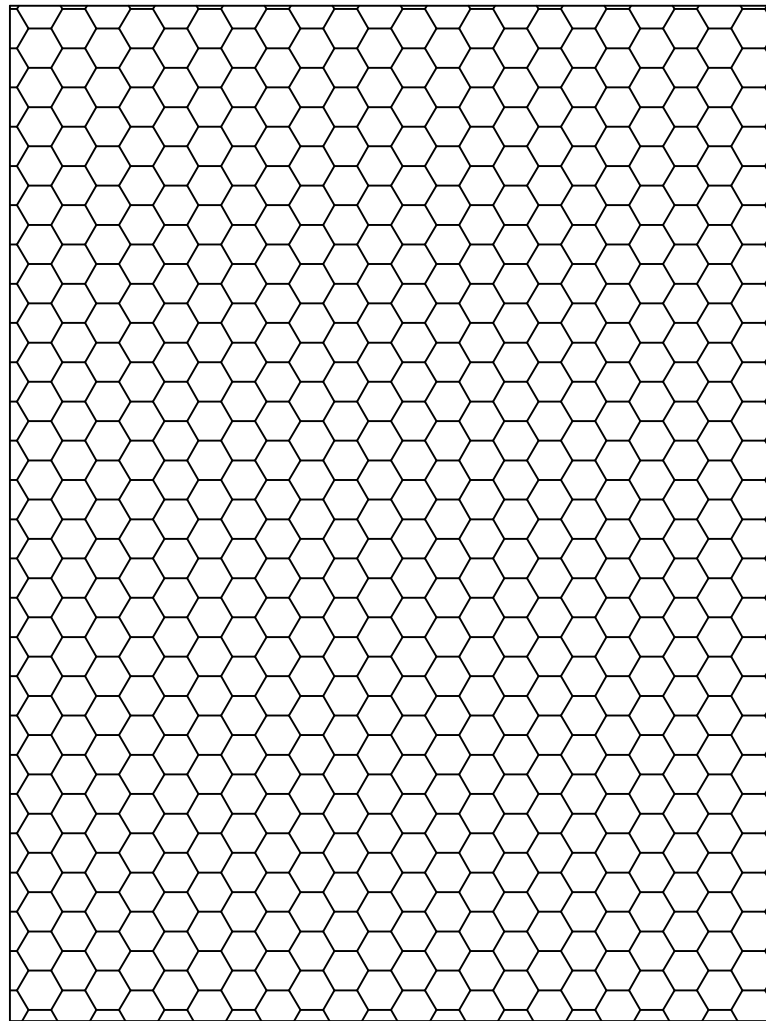
8"

3"



**IB-15**

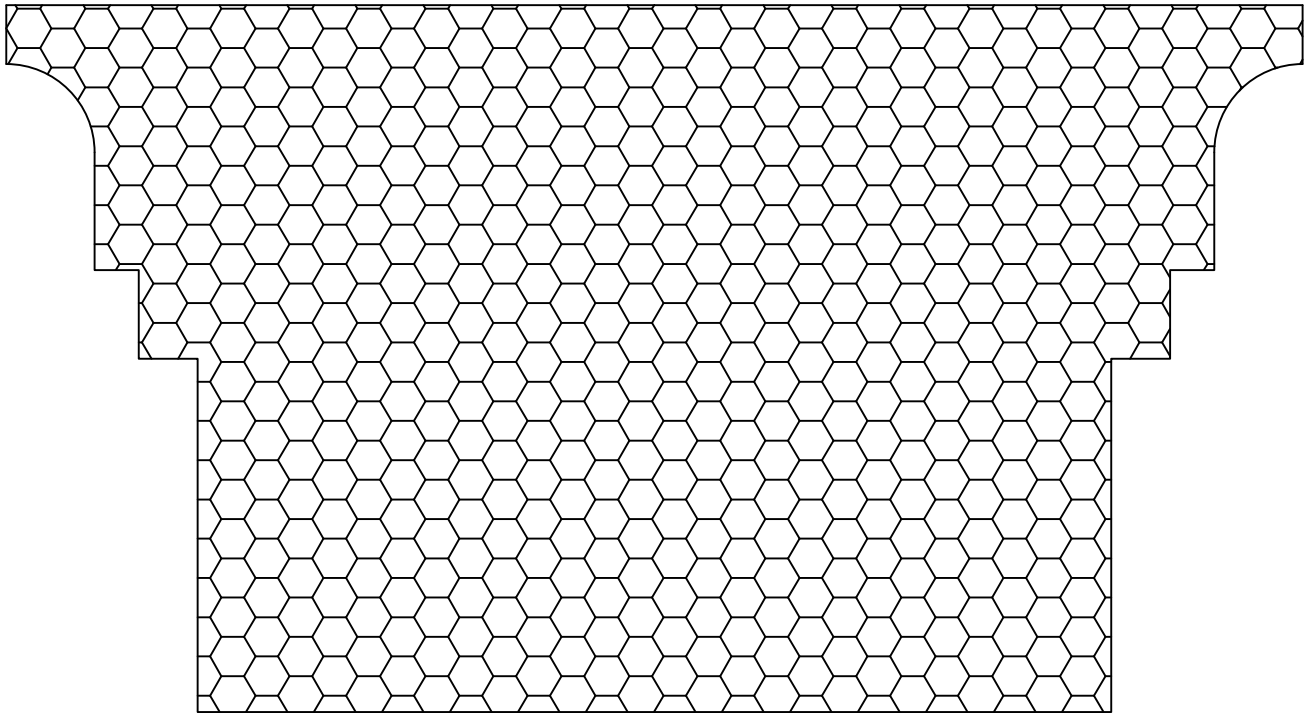
6"



8"

**IN-022 (6"X6")**  
**IN-022 (6"X8")**

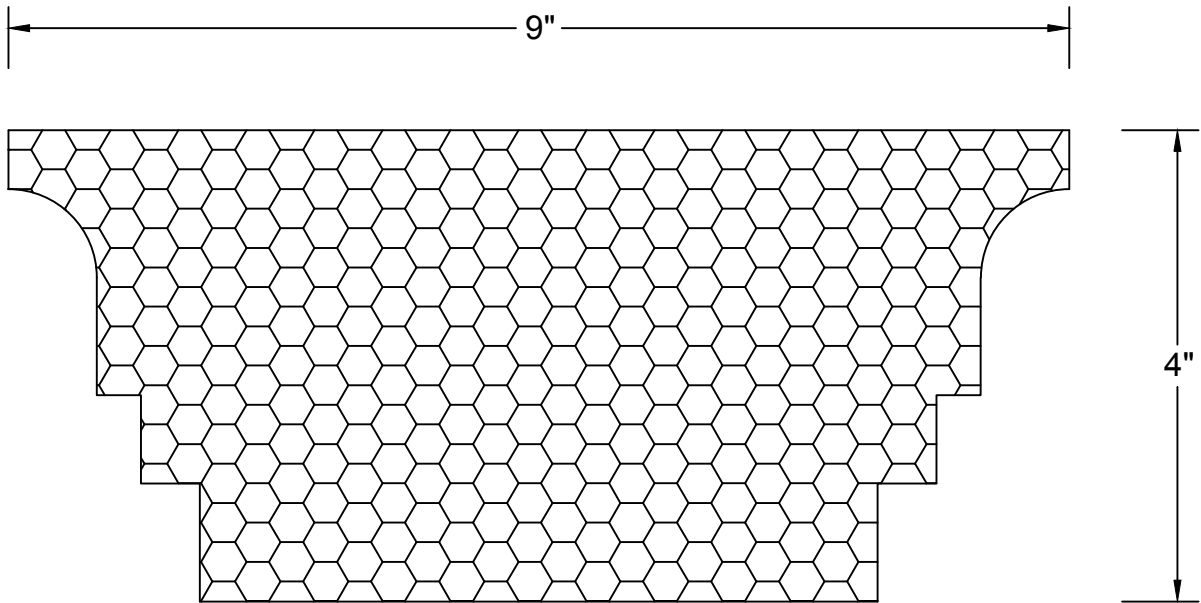
11"



6"

**IN-038**





**IN-039**